



Installation instructions, accessories

Volvo Car Corporation Gothenburg, Sweden

Instruction No	Version	Part. No.
31408458	1.2	31399352

Parking assistance, pilot



Installation instructions, accessories

Volvo Car Corporation Gothenburg, Sweden

Special tools

	999 7234 Hole stamp Tool number:999 7234 Tool description:Hole stamp Tool boards:80
	951 2950 Glue gun (kit) Tool number:951 2950 Tool description:Glue gun (kit) Tool boards:08
	951 2932 Tension spring Tool number:951 2932 Tool description:Tension spring Tool boards:80

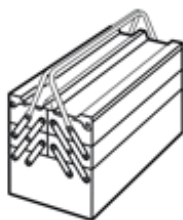
Materials

Designation	Part number
Isopropanol	1161721
Sand paper P1000	
Volvo Original Touch-up paint	
Varnish 2-component	31335447
Primer	1161765
Mixing pipe	1161730
Glue	9511027
Electrical tape	

Equipment

VIDA

IMG-242205

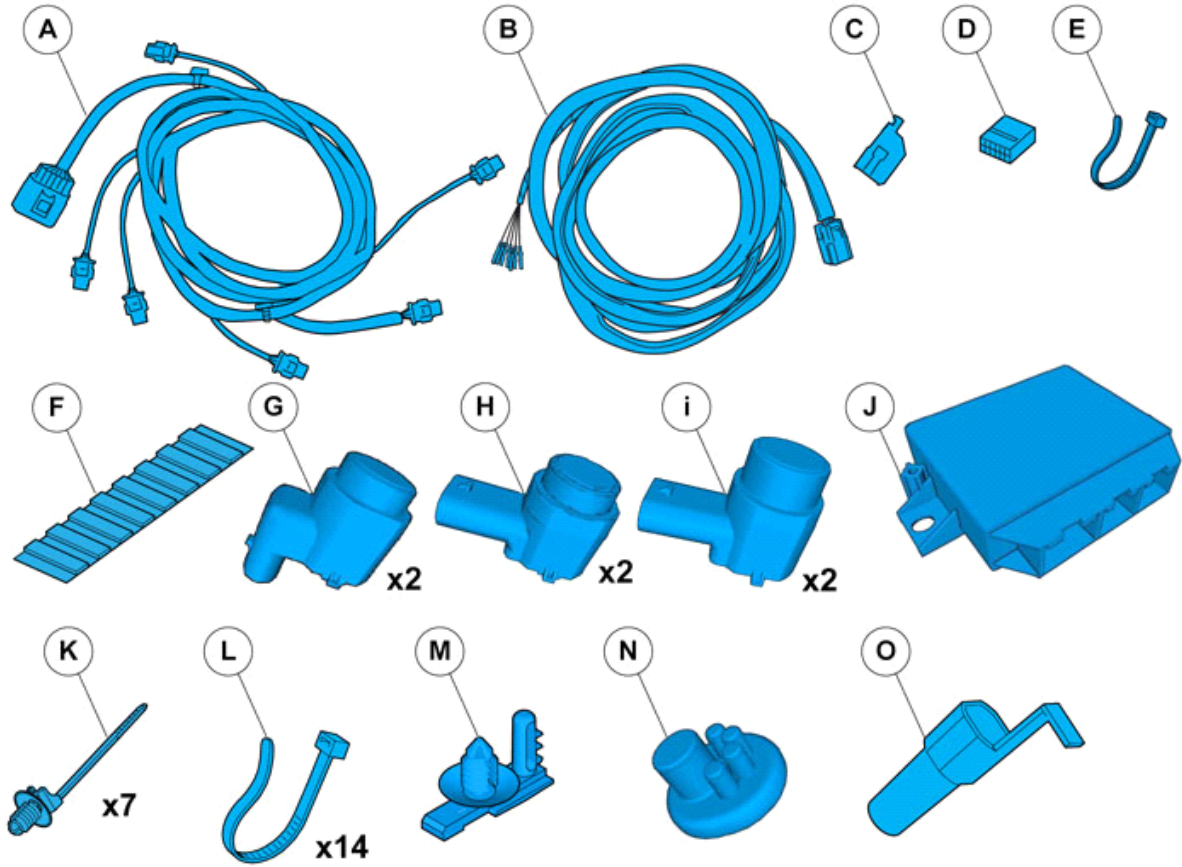


A0000162



Installation instructions, accessories

Volvo Car Corporation Gothenburg, Sweden

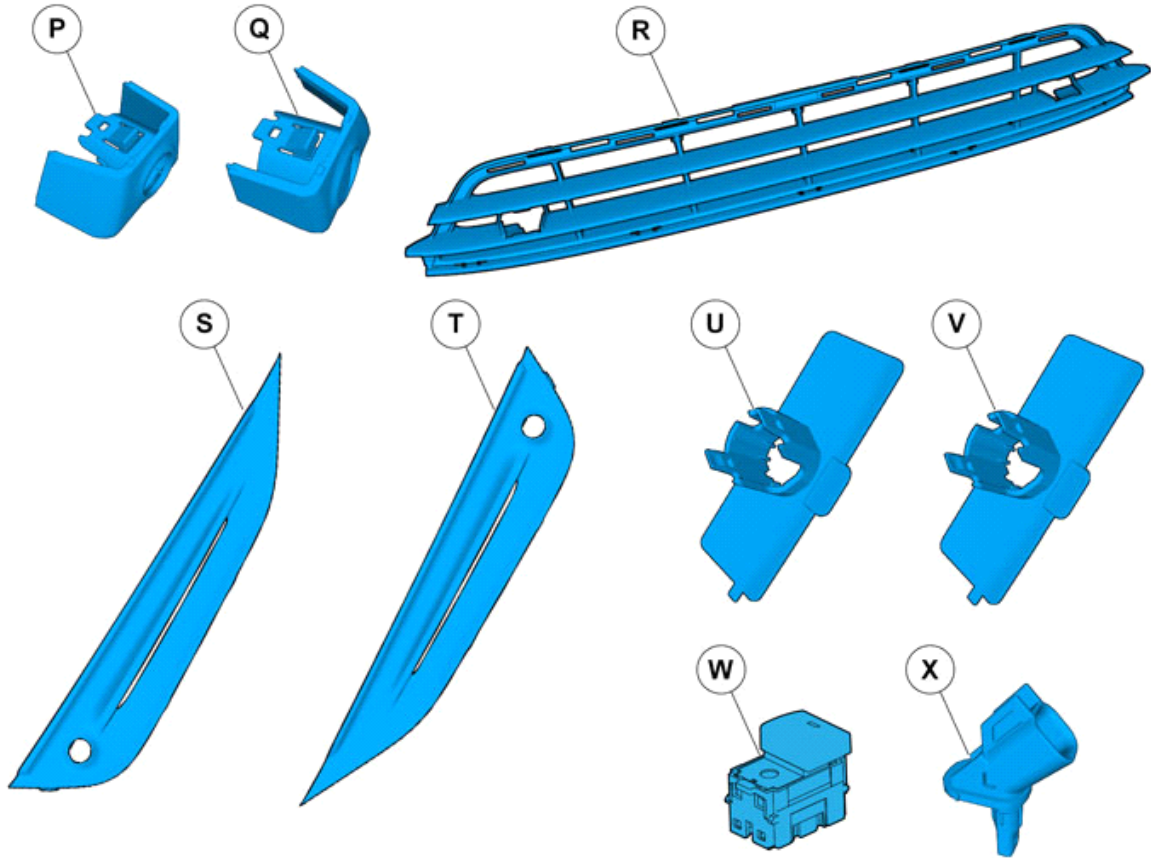


IMG-380113



Installation instructions, accessories

Volvo Car Corporation Gothenburg, Sweden



IMG-380114



Installation instructions, accessories

Volvo Car Corporation Gothenburg, Sweden

36656-2

Parking assistance, front, R-design

Information

1

Read through all of the instructions before starting installation.

Notifications and warning texts are for your safety and to minimise the risk of something breaking during installation.

Ensure that all tools stated in the instructions are available before starting installation.

Certain steps in the instructions are only presented in the form of images. Explanatory text is also given for more complicated steps.

In the event of any problems with the instructions or the accessory, contact your local Volvo dealer.

Further information

2

These installation instructions show installation on left hand drive cars.

When installing on right-hand drive cars, perform the procedures on the opposite side and/or mirrored.

Where the procedure differs, the right-hand version is also shown with text and image.

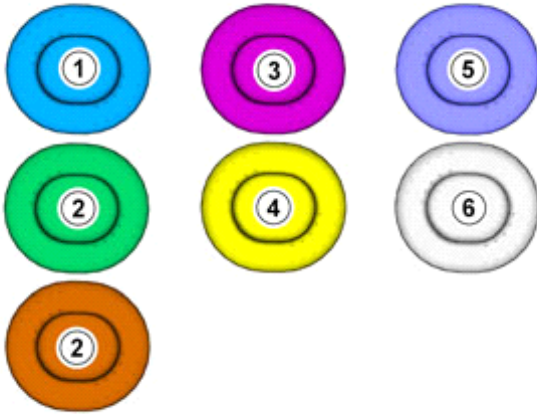
Color symbols



Installation instructions, accessories

Volvo Car Corporation Gothenburg, Sweden

3



IMG-363036

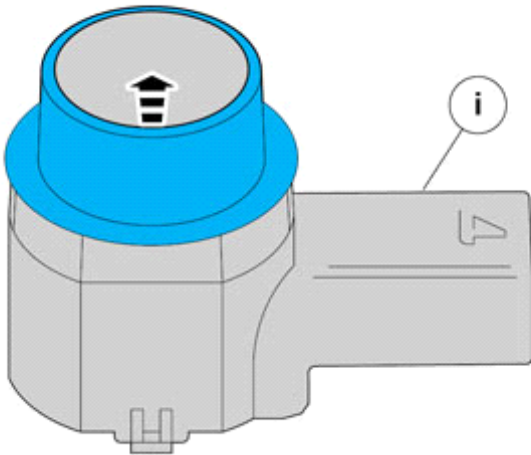
Note!

This colour chart displays (in colour print and electronic version) the importance of the different colours used in the images of the method steps.

1. Used for focused component, the component with which you will do something.
2. Used as extra colors when you need to show or differentiate additional parts.
3. Used for attachments that are to be removed/installed. May be screws, clips, connectors, etc.
4. Used when the component is not fully removed from the vehicle but only hung to the side.
5. Used for standard tools and special tools.
6. Used as background color for vehicle components.

Paintwork

4



x2

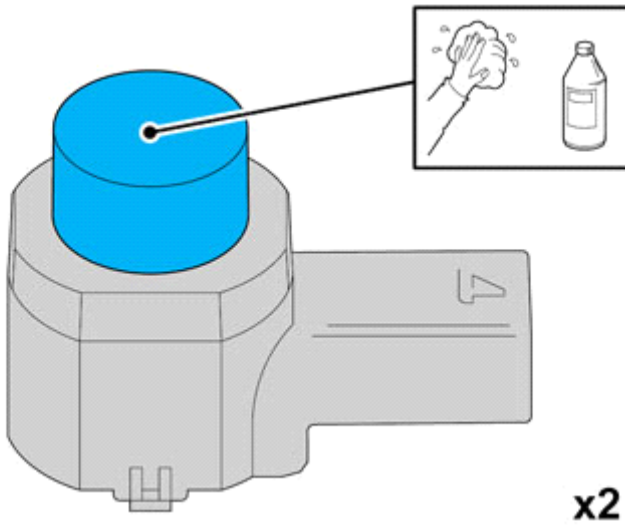
IMG-380122



Installation instructions, accessories

Volvo Car Corporation Gothenburg, Sweden

5

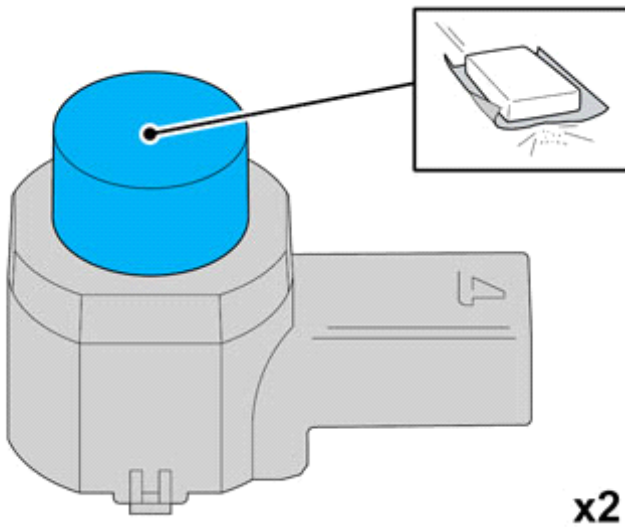


IMG-380123

Clean the surface.

Use: 1161721, Isopropanol

6

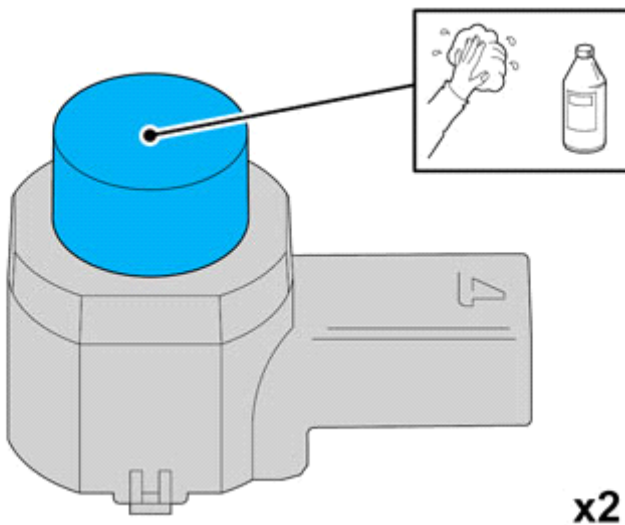


IMG-380131

Matt the surface gently.

Use: , Sand paper P1000

7



IMG-380123

Clean the surface.

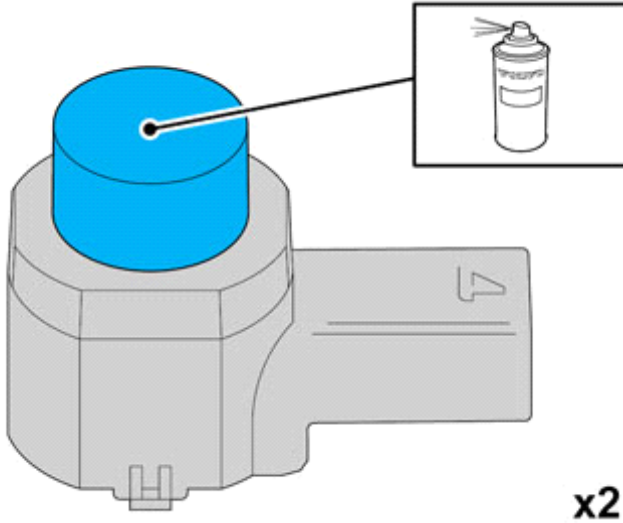
Use: 1161721, Isopropanol



Installation instructions, accessories

Volvo Car Corporation Gothenburg, Sweden

8



IMG-380132

Caution!
Protect connector surfaces against paint spray.

Note!
Use correct color following the vehicle's paint code.

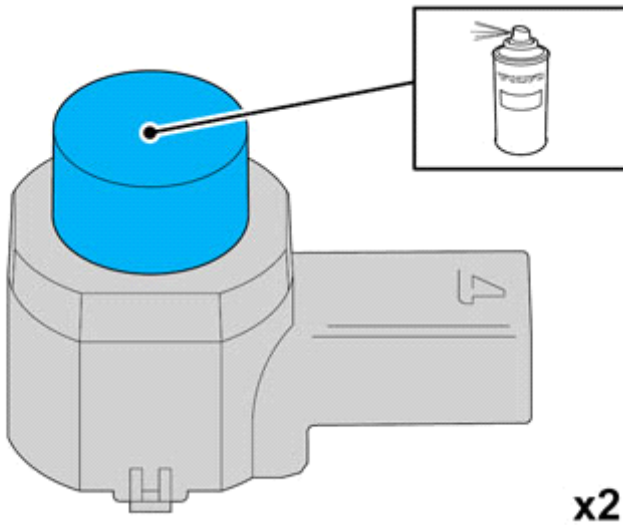
Use: , Volvo Original Touch-up paint

Use base coat only.

Also see the instructions on the container.

Allow to dry.

9



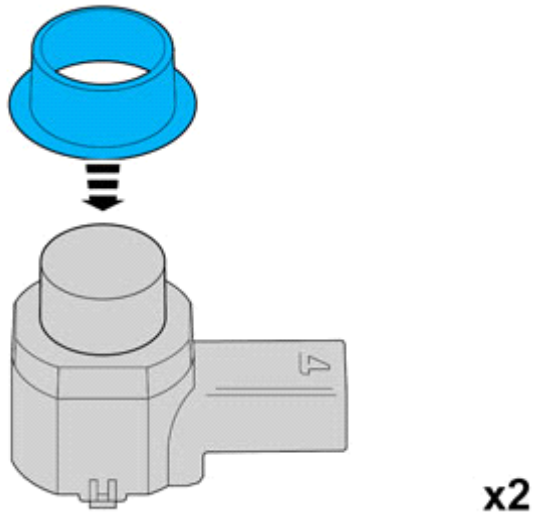
IMG-380132

Use: 31335447, Varnish 2-component

Also see the instructions on the container.

Allow to dry.

10



IMG-380178

Caution!
First the paint must dry after painting.



Installation instructions, accessories

Volvo Car Corporation Gothenburg, Sweden

Removal

11

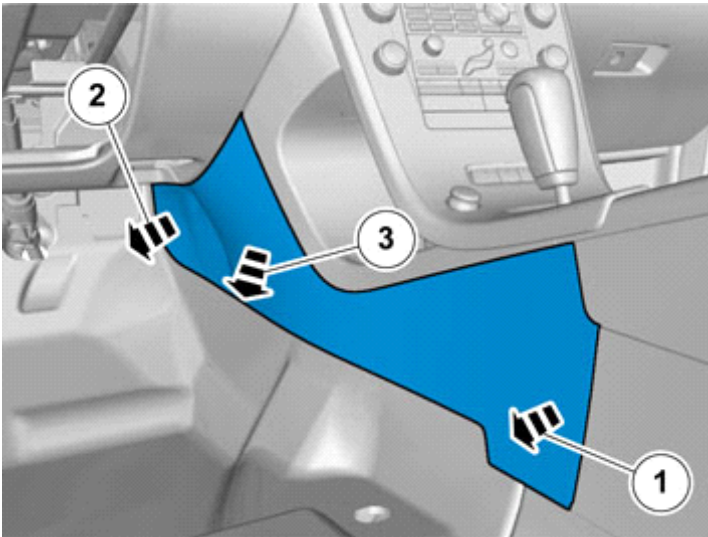
Set the ignition key to position 0.



IMG-332193

12

Remove the panel.



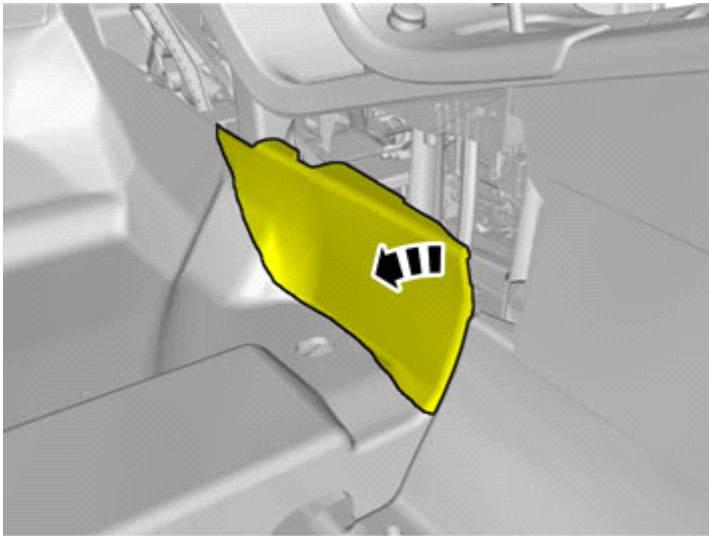
IMG-292804



Installation instructions, accessories

Volvo Car Corporation Gothenburg, Sweden

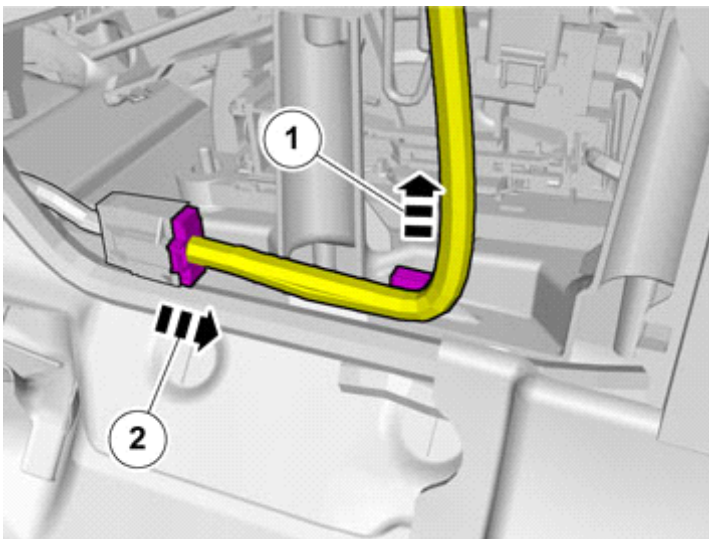
13



IMG-292806

Fold the carpet to the side.

14

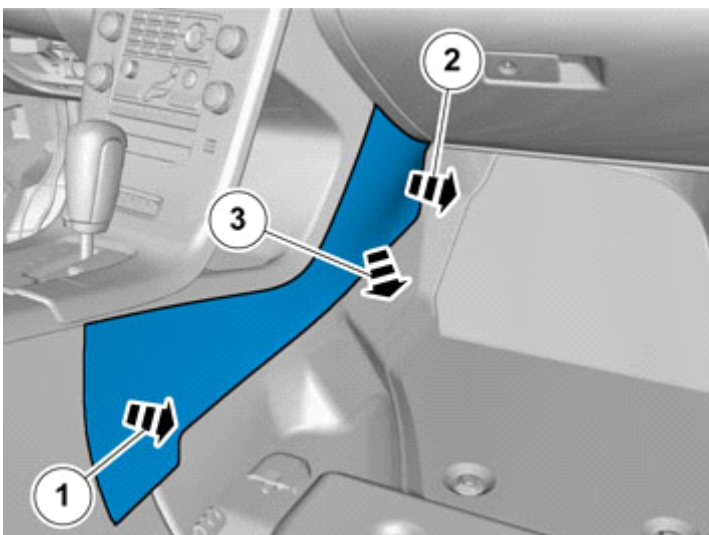


IMG-292823

Unhook the cable harness clips.

Disconnect the connector.

15



IMG-292826

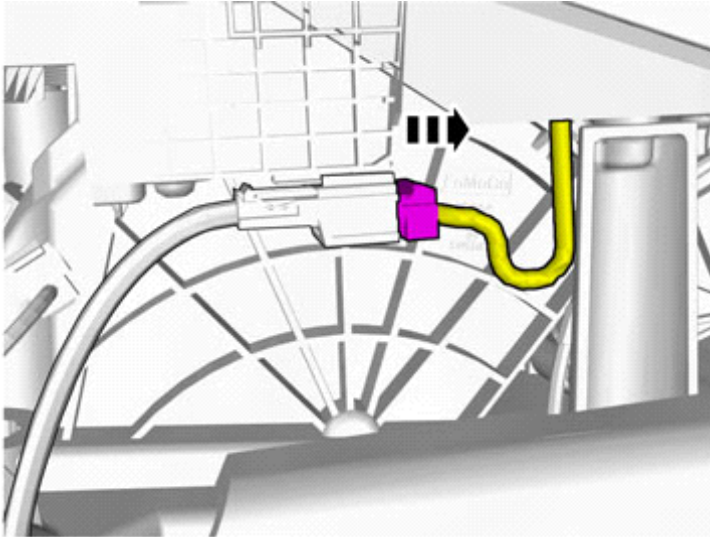
Remove the panel.



Installation instructions, accessories

Volvo Car Corporation Gothenburg, Sweden

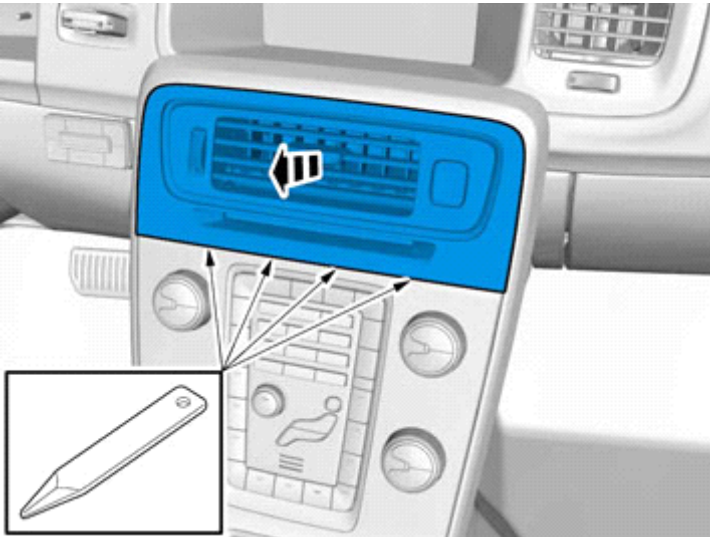
16



IMG-292827

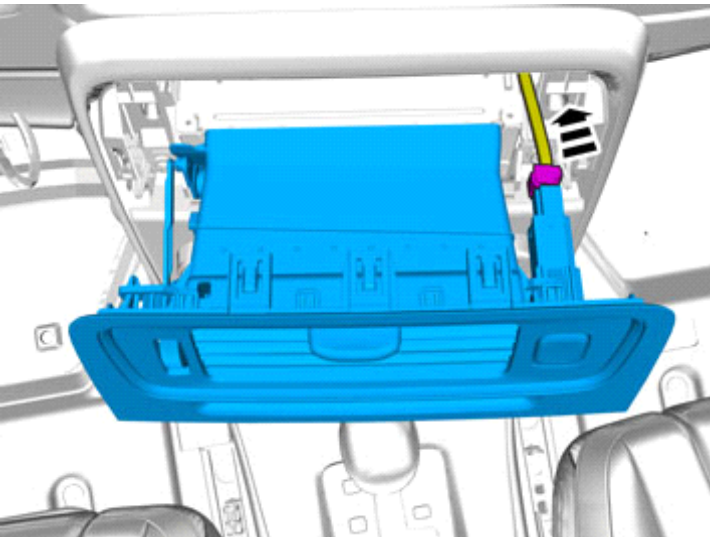
Disconnect the connector, if applicable.

17



IMG-346236

18



IMG-340984

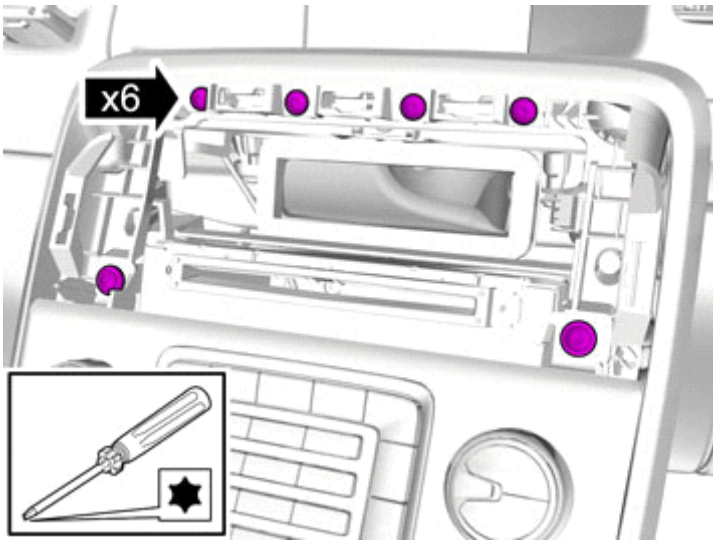
Disconnect the connector.



Installation instructions, accessories

Volvo Car Corporation Gothenburg, Sweden

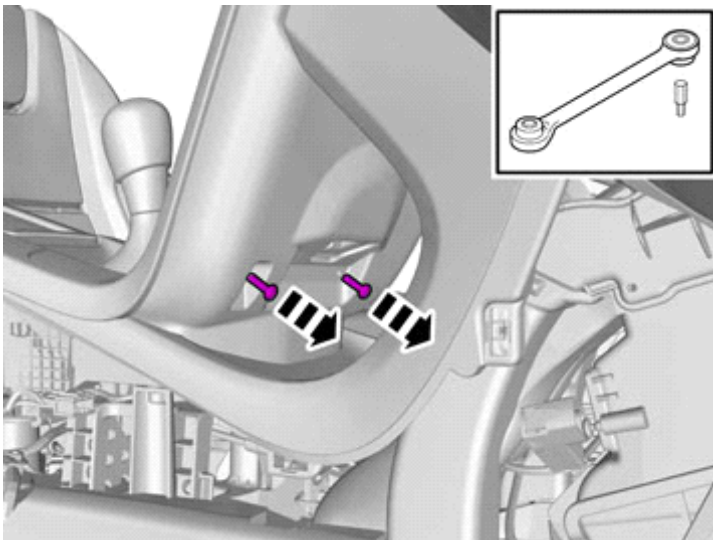
19



IMG-340985

Remove the screws.

20



IMG-355818

Remove the screws.

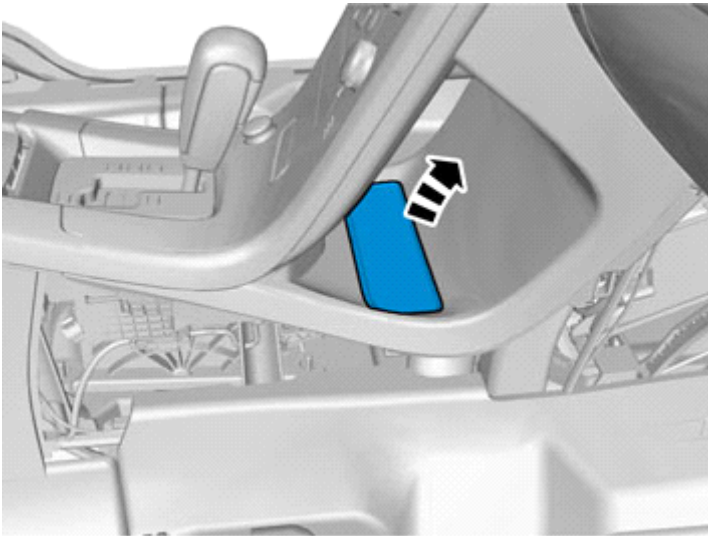
Cars with automatic transmissions



Installation instructions, accessories

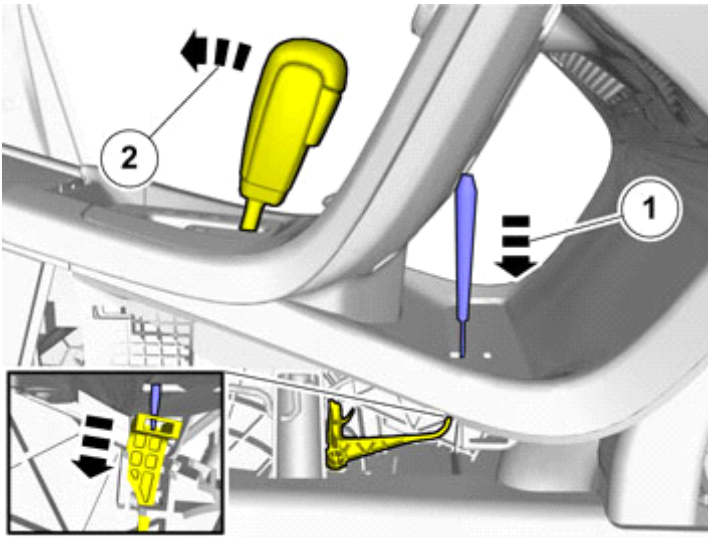
Volvo Car Corporation Gothenburg, Sweden

21



IMG-293006

22



IMG-293007

Release the shift-lock function.

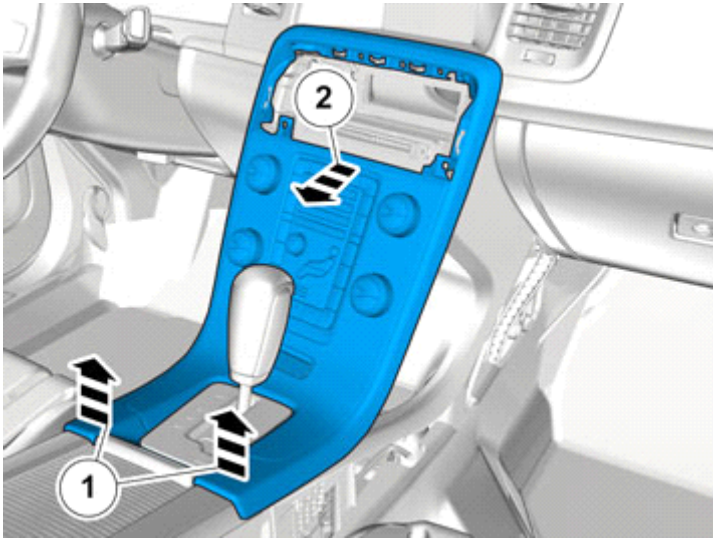
All vehicles



Installation instructions, accessories

Volvo Car Corporation Gothenburg, Sweden

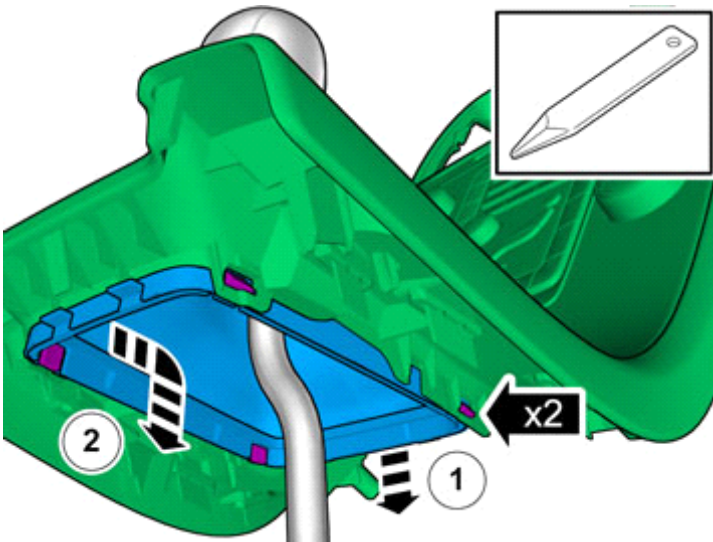
23



IMG-340981

Cars with manual transmissions

24



IMG-345292

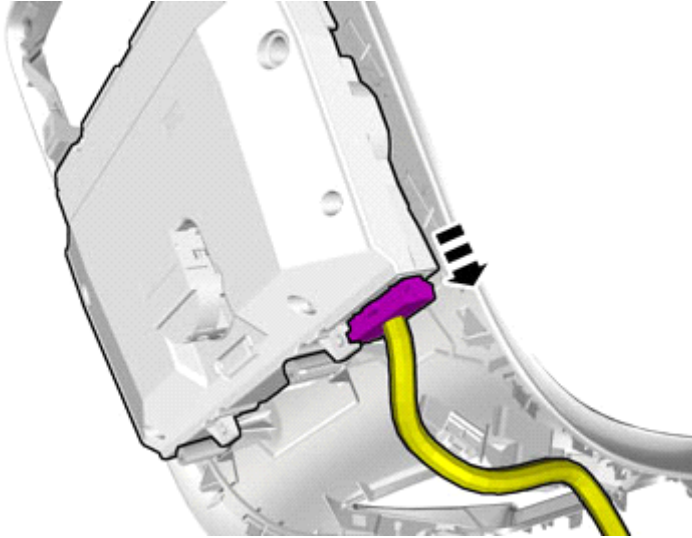
All vehicles



Installation instructions, accessories

Volvo Car Corporation Gothenburg, Sweden

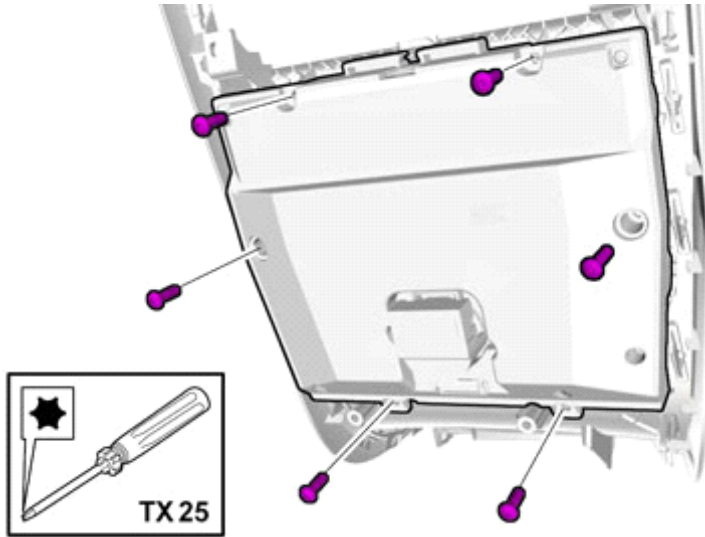
25



Disconnect the connector.

IMG-340604

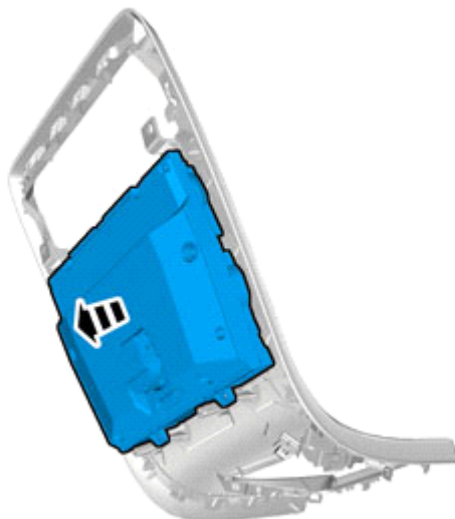
26



Remove the screws.

IMG-340605

27



Remove the marked part.

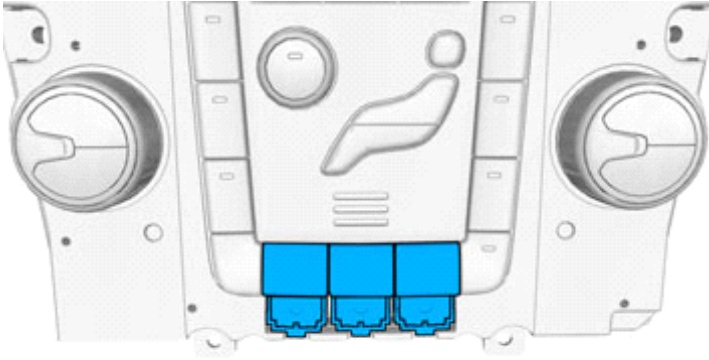
IMG-340607



Installation instructions, accessories

Volvo Car Corporation Gothenburg, Sweden

28



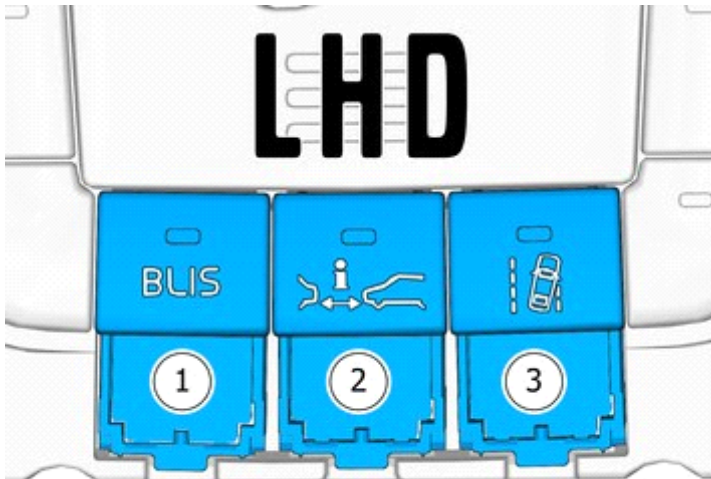
Note!
Orientation view

Select the first free position closest to the driver.

IMG-381763

Left hand drive vehicles

29



If all locations for the switch are occupied a switch with function must be removed in priority order as illustrated.

1. BLIS
2. Distance Alert
3. Lane departure warning (LDW)

IMG-396256

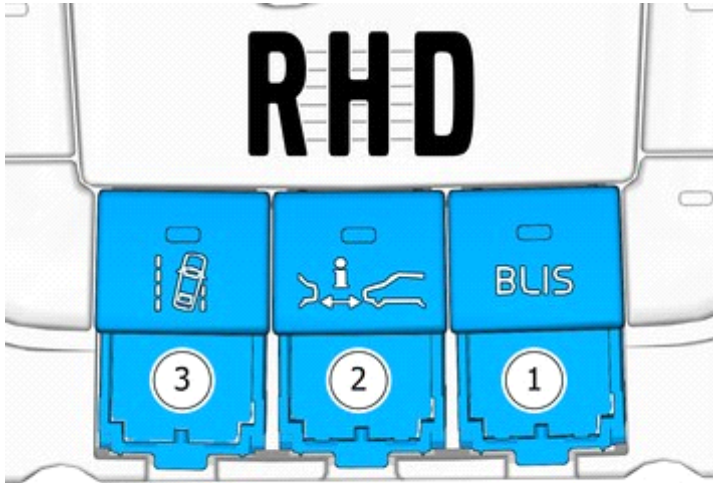
Right-hand drive vehicles



Installation instructions, accessories

Volvo Car Corporation Gothenburg, Sweden

30



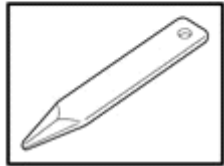
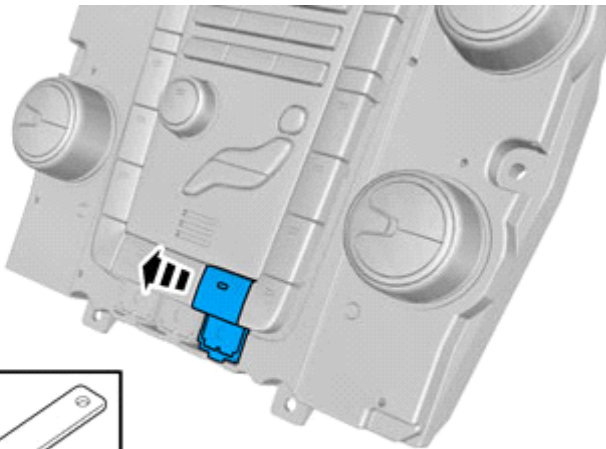
IMG-396255

If all locations for the switch are occupied a switch with function must be removed in priority order as illustrated.

1. BLIS
2. Distance Alert
3. Lane departure warning (LDW)

All vehicles

31



IMG-380450

Remove the marked part.

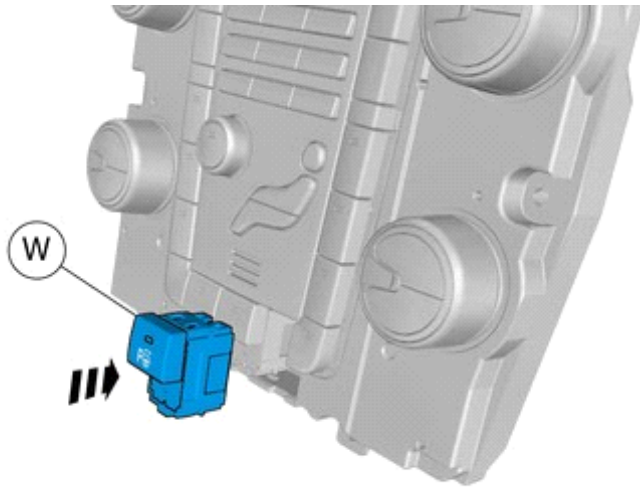
Accessory installation



Installation instructions, accessories

Volvo Car Corporation Gothenburg, Sweden

32

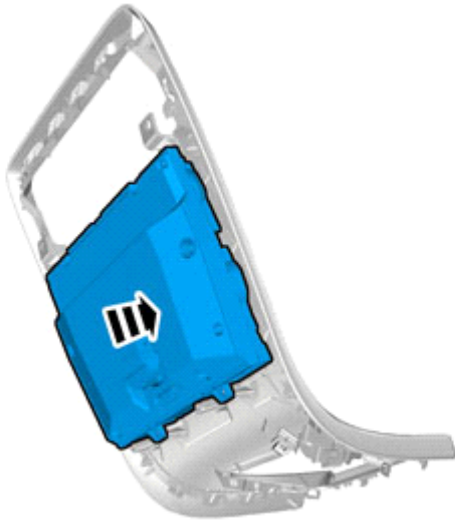


Install component that comes with the accessory kit.

IMG-380454

Installation

33



Reinstall the removed part.

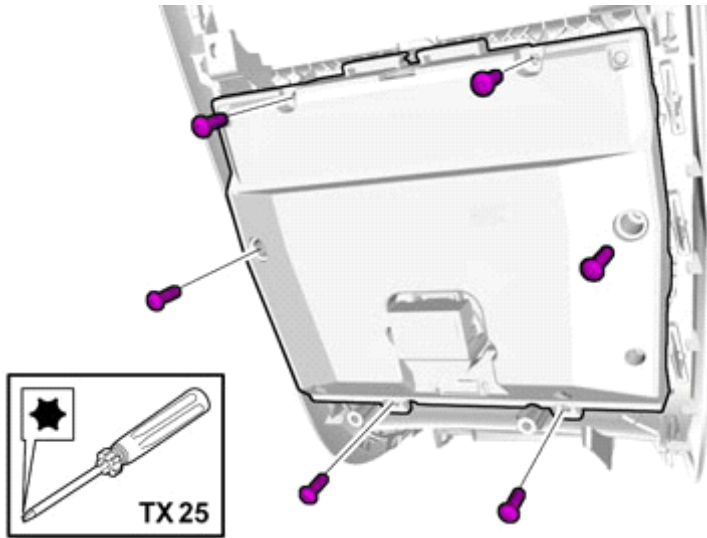
IMG-341739



Installation instructions, accessories

Volvo Car Corporation Gothenburg, Sweden

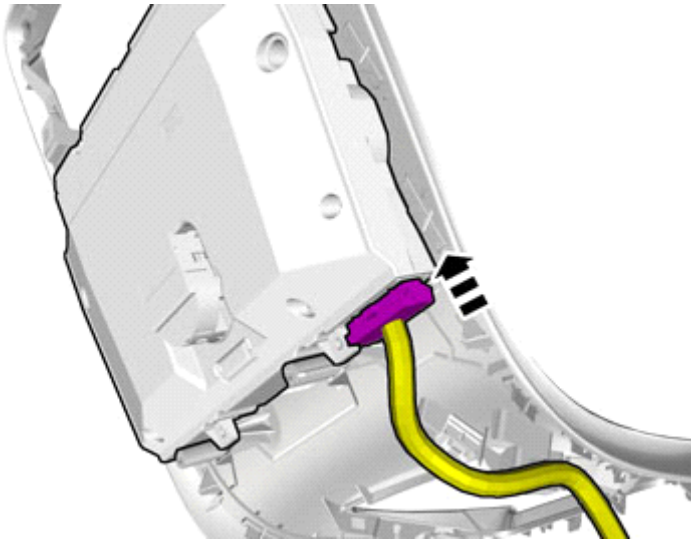
34



IMG-340605

Reinstall the screws.

35



IMG-340622

Connect the connector.

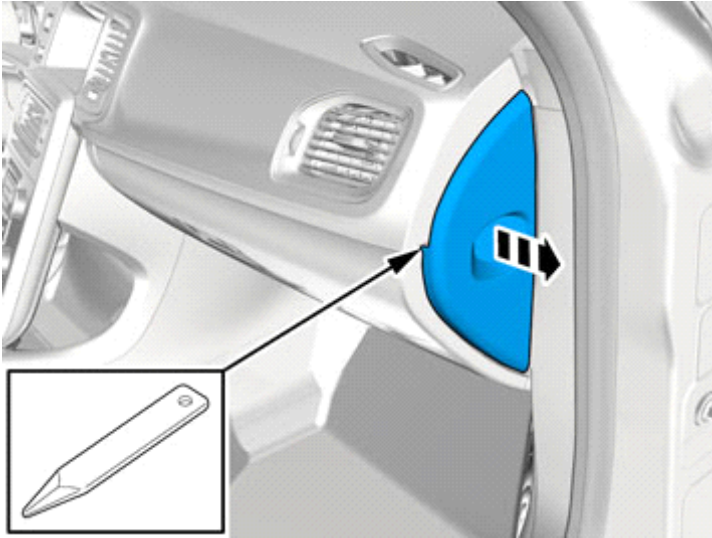
Removal



Installation instructions, accessories

Volvo Car Corporation Gothenburg, Sweden

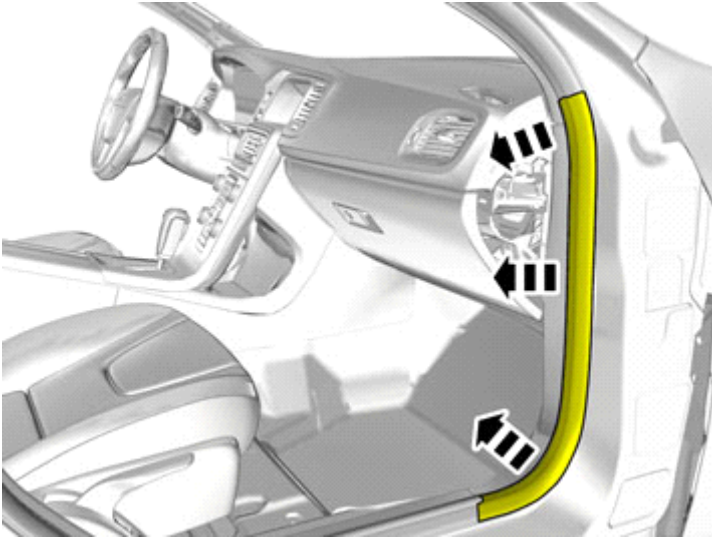
36



IMG-344926

Remove the panel.

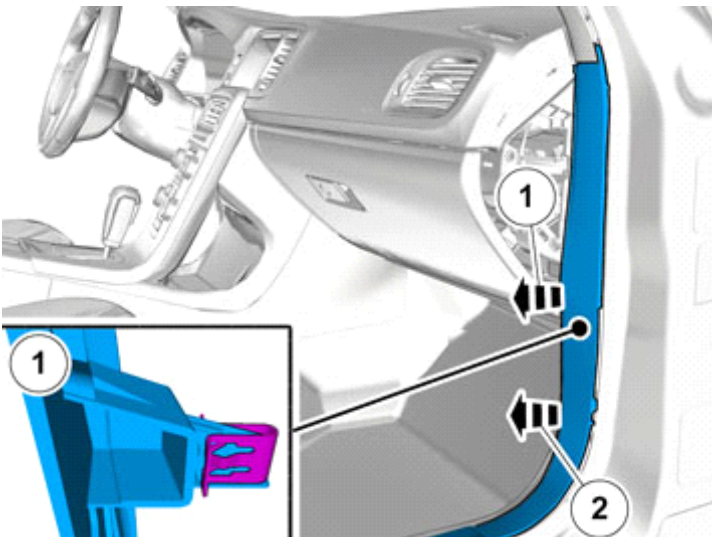
37



IMG-344927

Remove the weatherstrip.

38



IMG-344928

Caution!

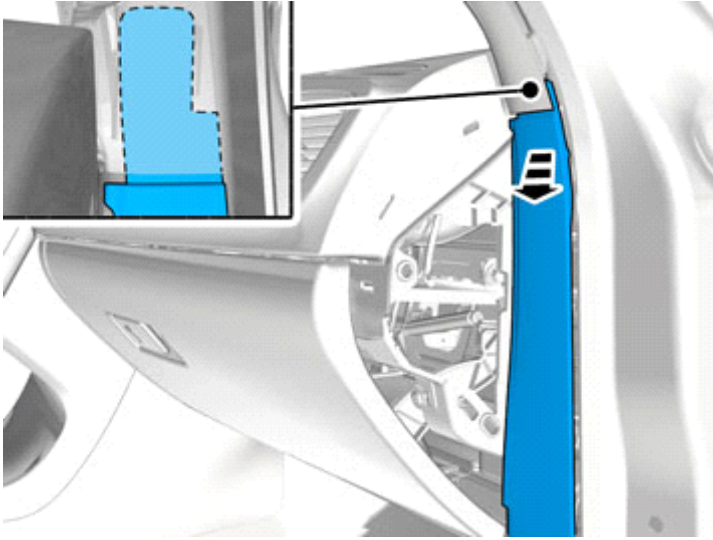
The front and upper sill panel must be removed and installed as one unit.



Installation instructions, accessories

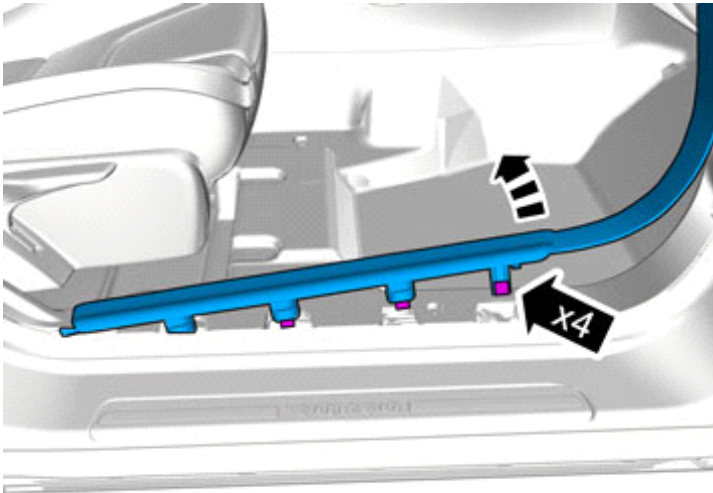
Volvo Car Corporation Gothenburg, Sweden

39



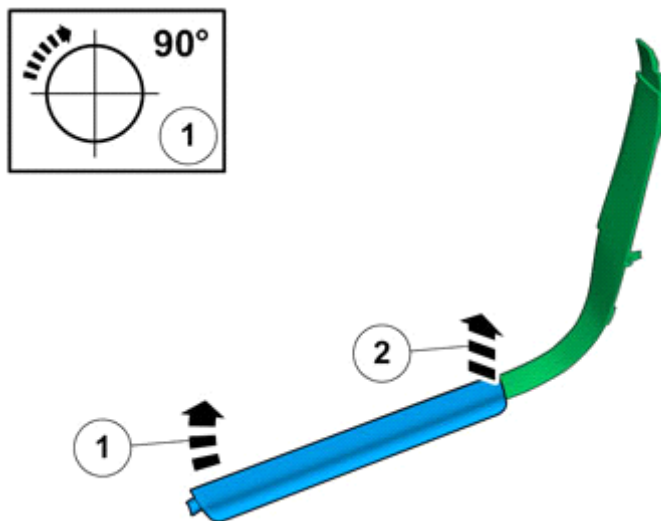
IMG-344929

40



IMG-344930

41



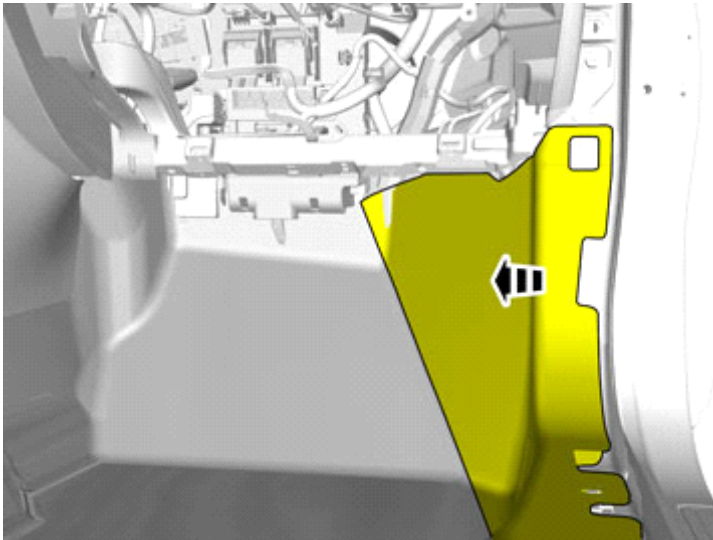
IMG-344451



Installation instructions, accessories

Volvo Car Corporation Gothenburg, Sweden

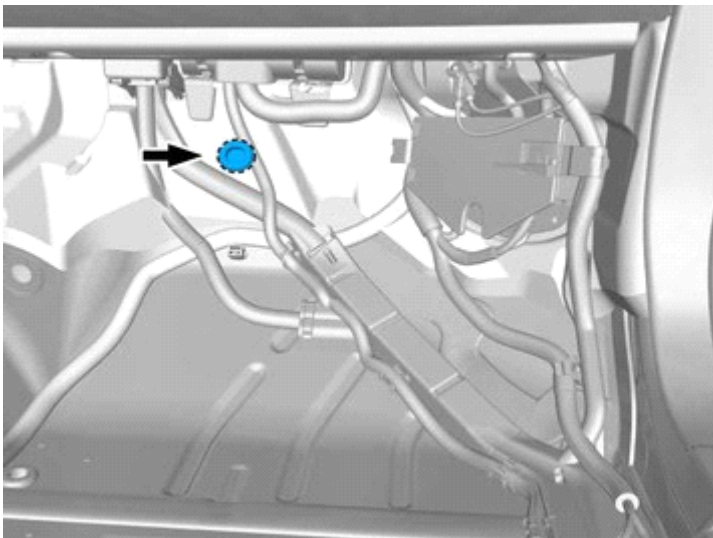
42



IMG-375379

Fold the carpet to the side.

43



IMG-396281

Locate the rubber grommet under the insulating mat.



Installation instructions, accessories

Volvo Car Corporation Gothenburg, Sweden

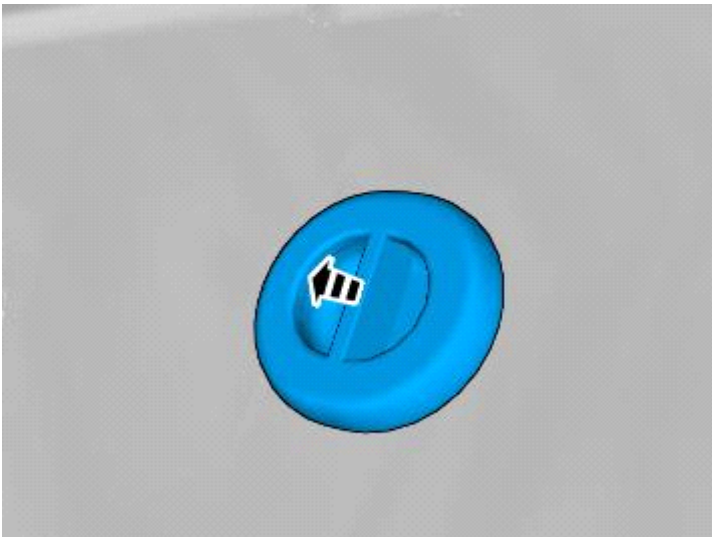
44



IMG-396796

Fold the insulation to one side.

45

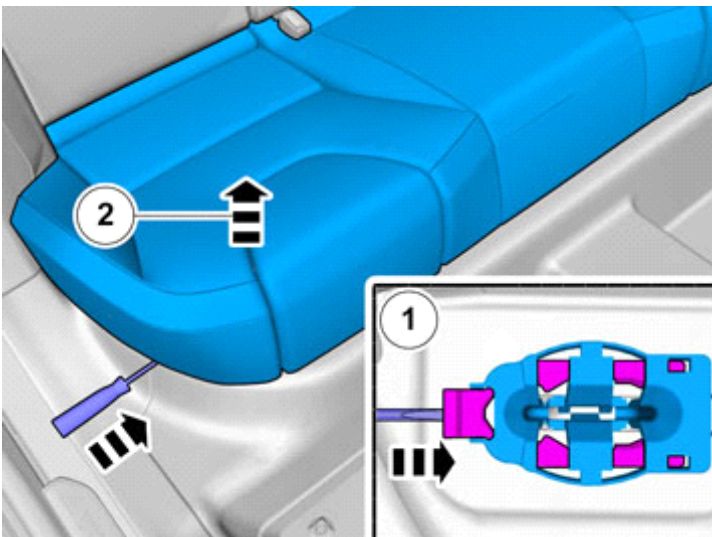


IMG-385185

Remove the marked part.

The part is not to be reused.

46



IMG-342372

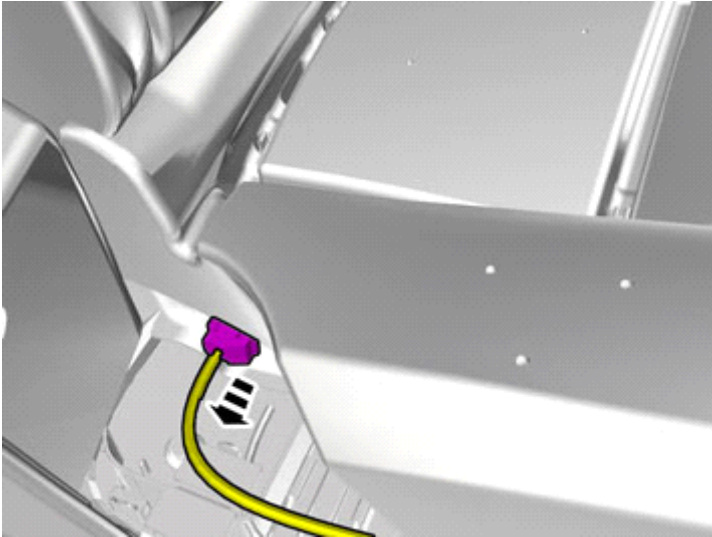
Repeat on the other side.



Installation instructions, accessories

Volvo Car Corporation Gothenburg, Sweden

47

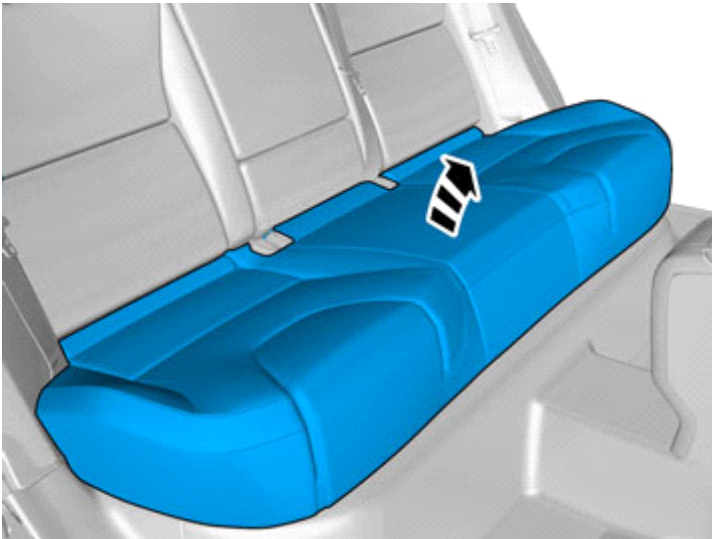


IMG-341902

Disconnect the connector, if applicable.

Repeat on the other side.

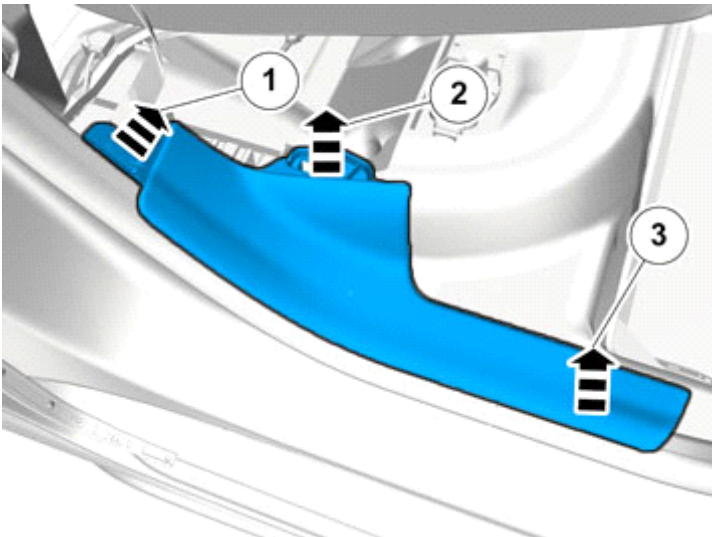
48



IMG-360124

Remove the marked part.

49



IMG-341906

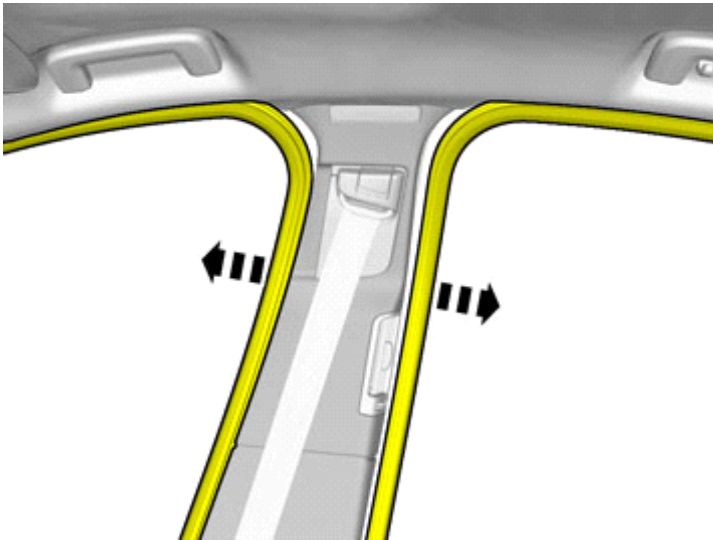
Remove the panel.



Installation instructions, accessories

Volvo Car Corporation Gothenburg, Sweden

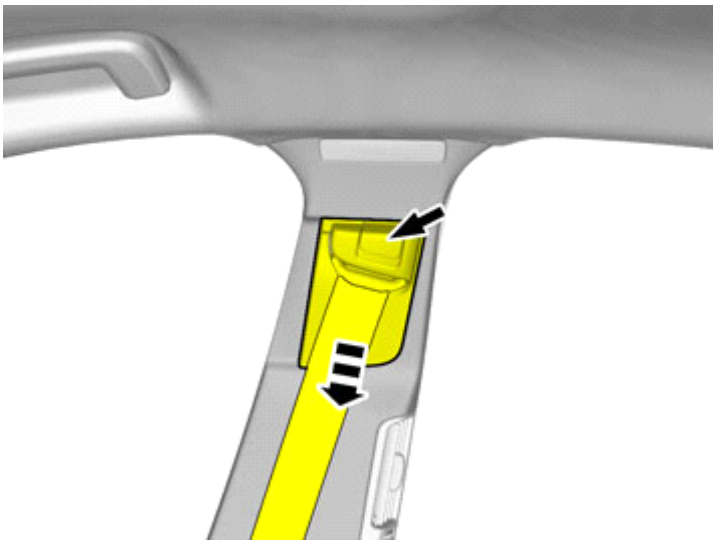
50



Remove the weatherstrips.

IMG-382077

51



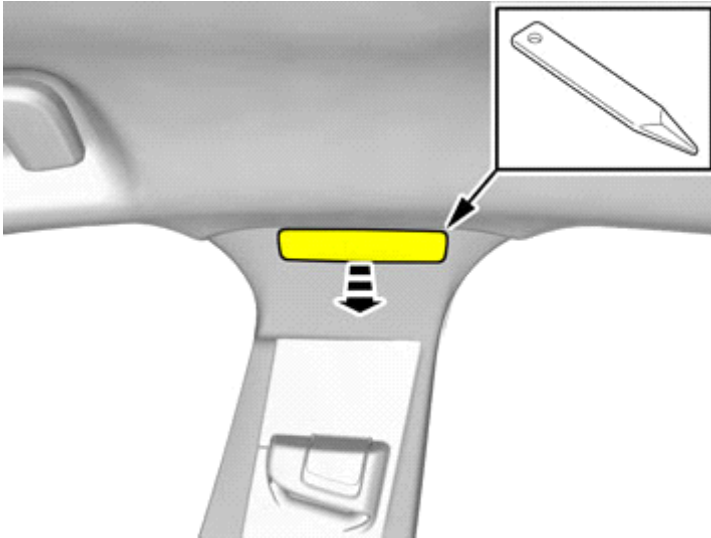
IMG-382078



Installation instructions, accessories

Volvo Car Corporation Gothenburg, Sweden

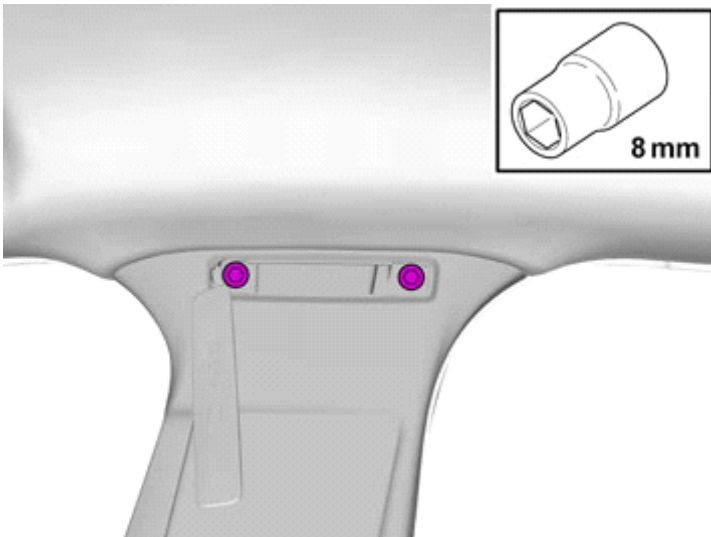
52



Detach the panel.

IMG-382079

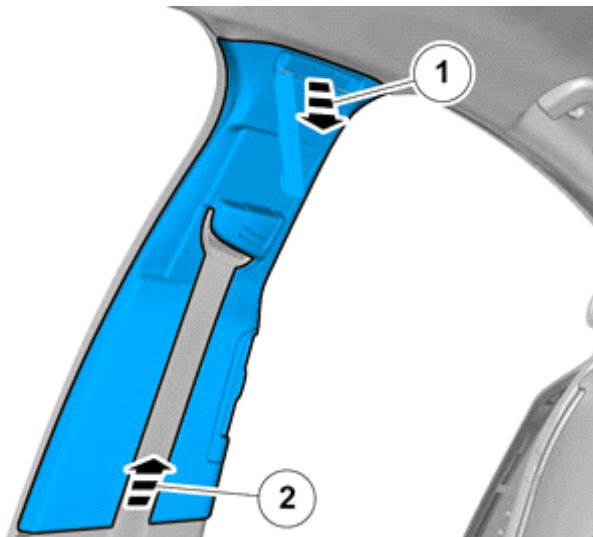
53



Remove the nuts.

IMG-382080

54



Remove the panel.

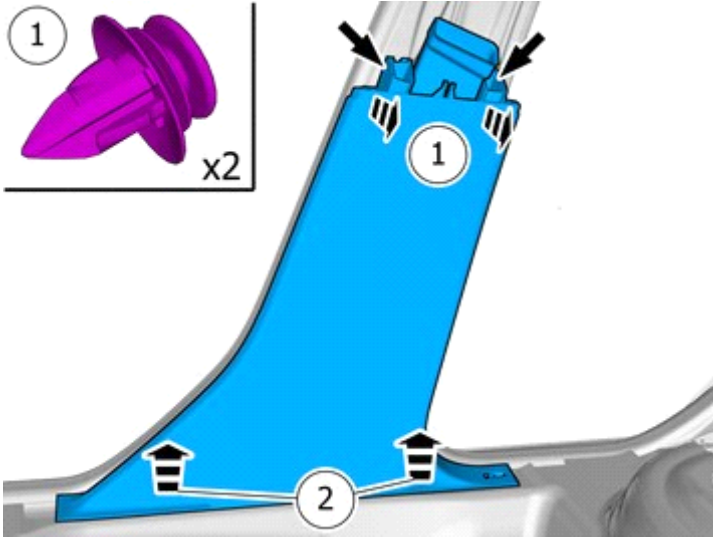
IMG-382081



Installation instructions, accessories

Volvo Car Corporation Gothenburg, Sweden

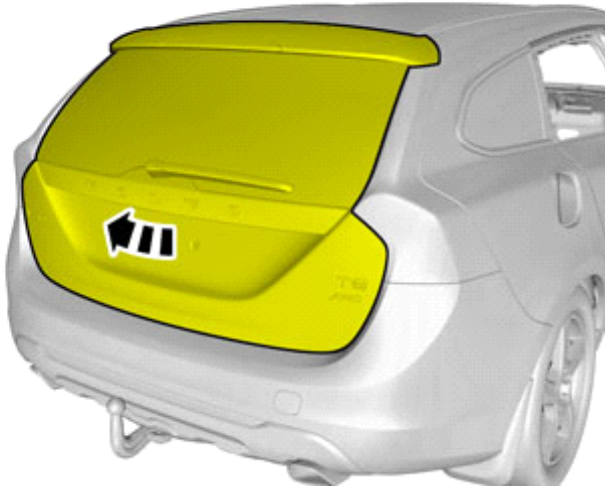
55



IMG-382090

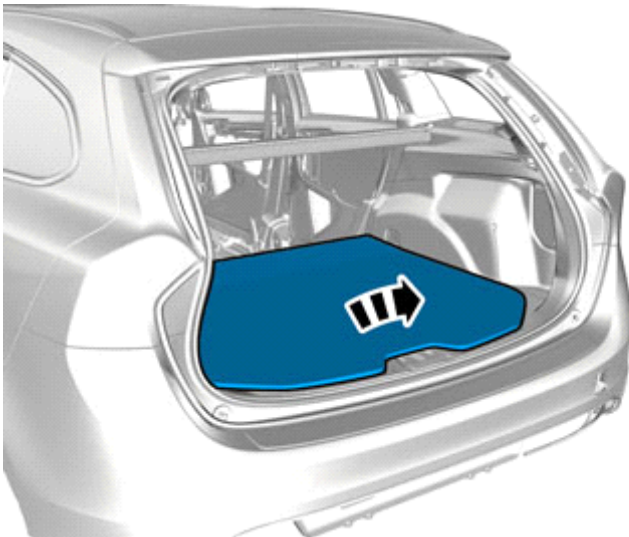
Remove the panel.

56



IMG-346181

57



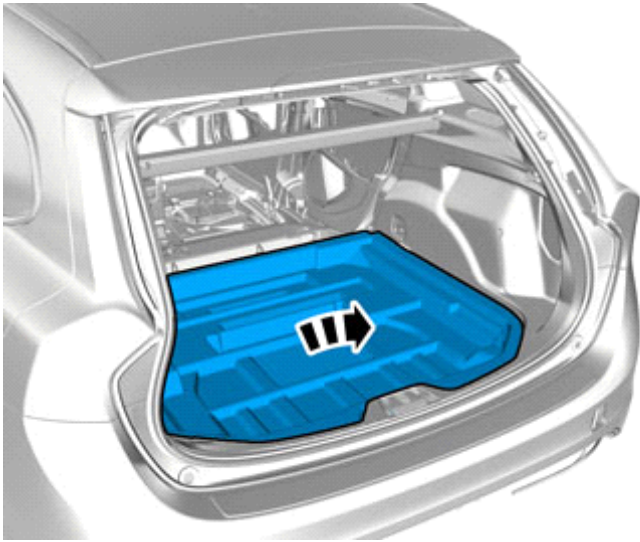
IMG-343412



Installation instructions, accessories

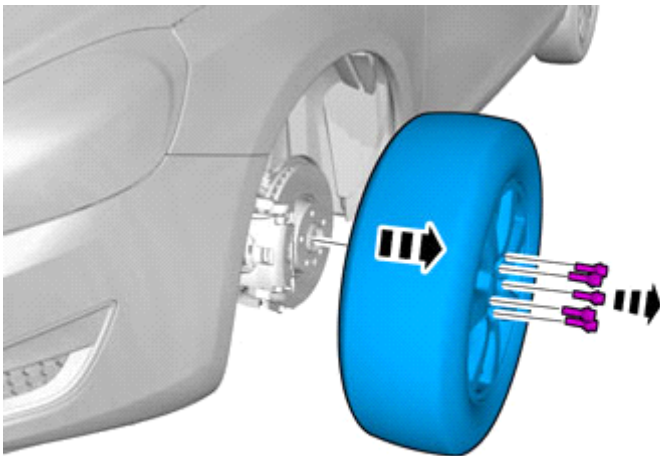
Volvo Car Corporation Gothenburg, Sweden

58



IMG-343413

59



IMG-352021

Caution!

Left side! This step applies also to right-hand drive vehicles!

Tightening torque: Wheel to wheel hub

Stage 1: 20 Nm

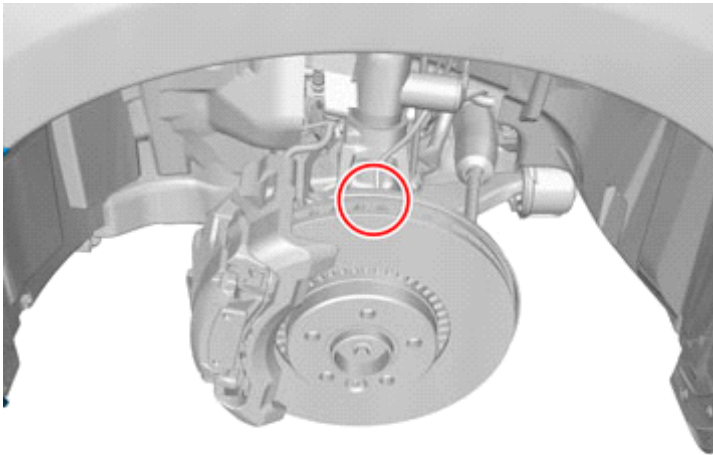
Stage 2: 140 Nm



Installation instructions, accessories

Volvo Car Corporation Gothenburg, Sweden

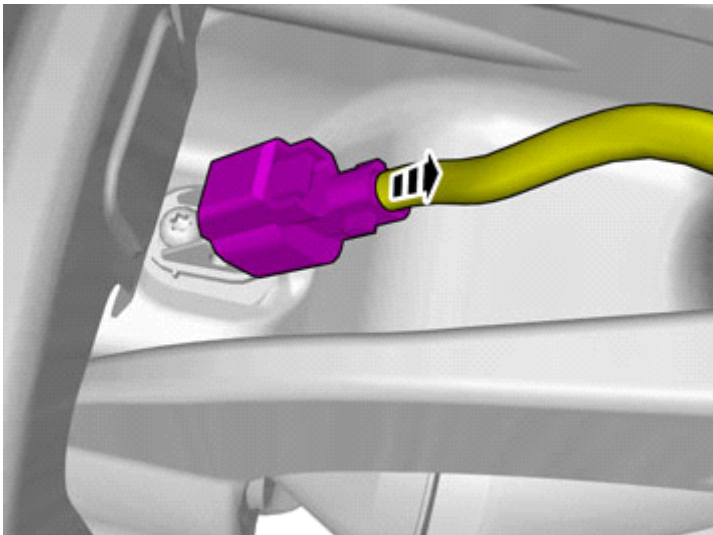
60



Note!
Orientation view

IMG-381634

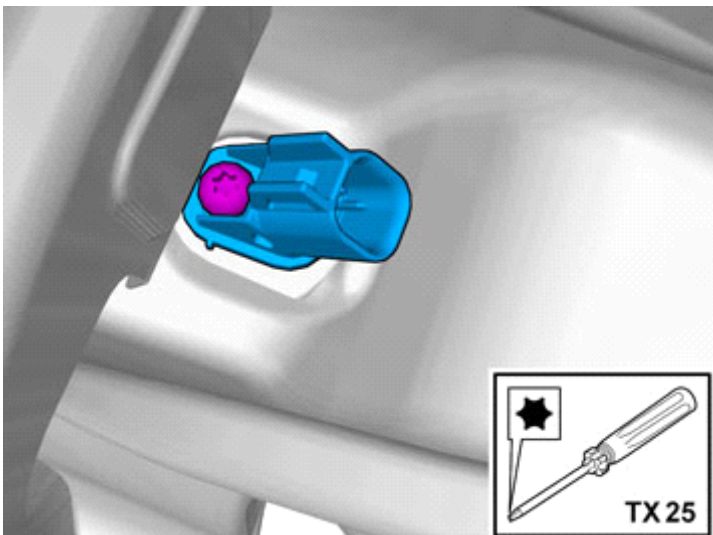
61



Disconnect the connector.

IMG-381635

62



Remove the screw.

Remove the marked part.

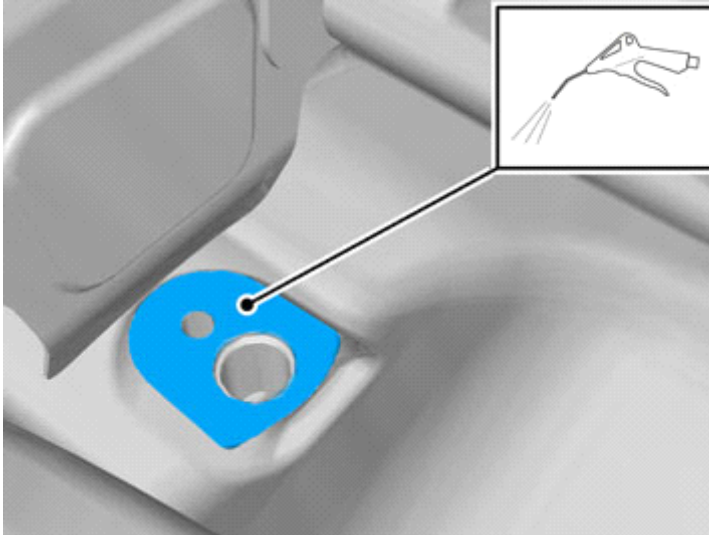
The part is not to be reused.

IMG-381636



Accessory installation

63



IMG-381633

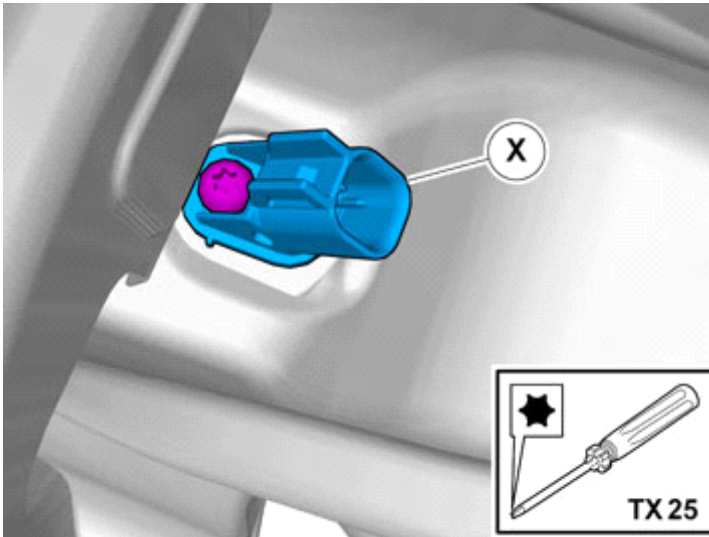
Caution!

Left side! This step applies also to right-hand drive vehicles!

Note!

Make sure that the mating faces are clean and free of foreign material.

64



IMG-381637

Install component that comes with the accessory kit.

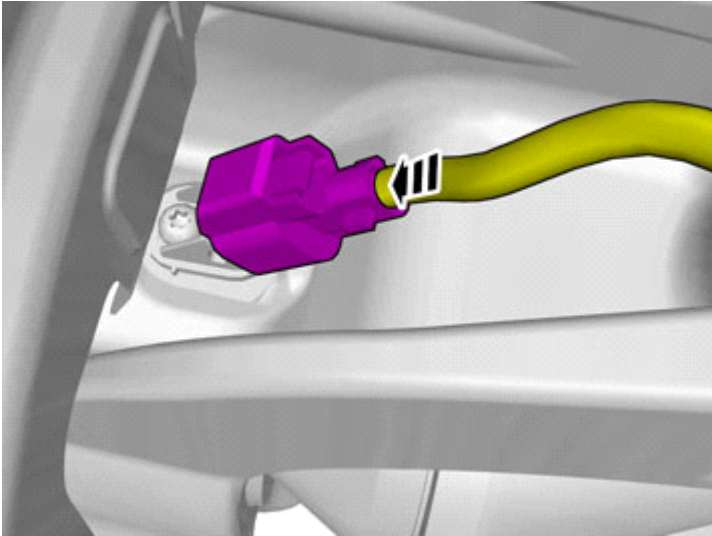
Tightening torque: M5 , 5 Nm



Installation instructions, accessories

Volvo Car Corporation Gothenburg, Sweden

65

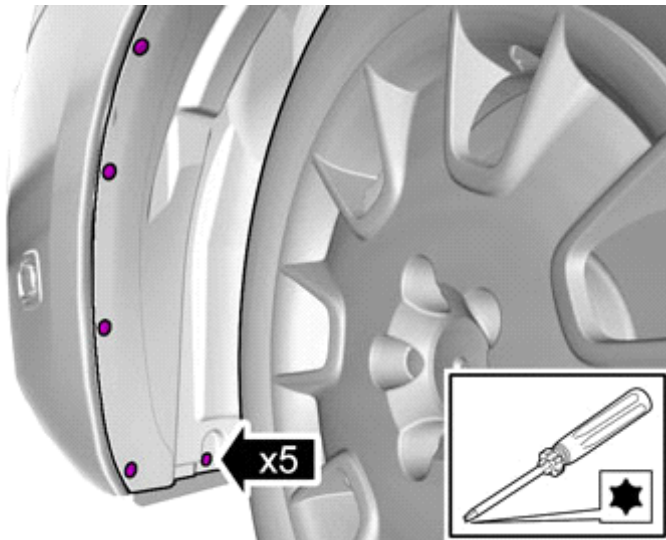


IMG-381638

Connect the connector.

Removal

66



IMG-341913

Remove the screws.

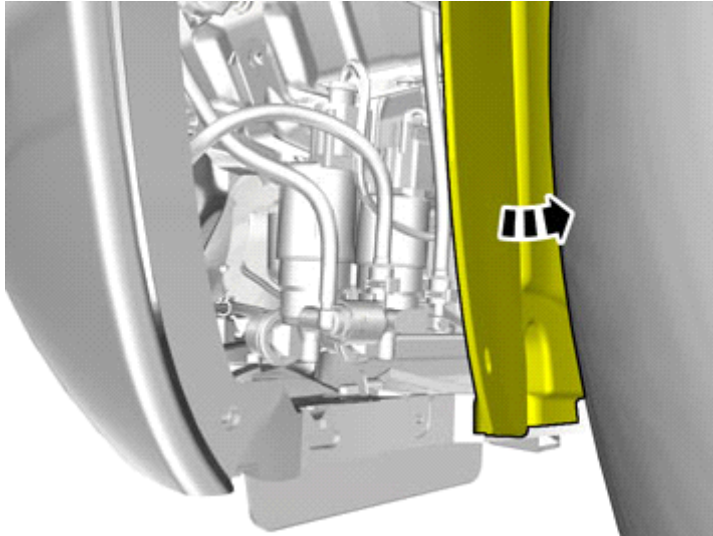
Vehicles with headlamp washers



Installation instructions, accessories

Volvo Car Corporation Gothenburg, Sweden

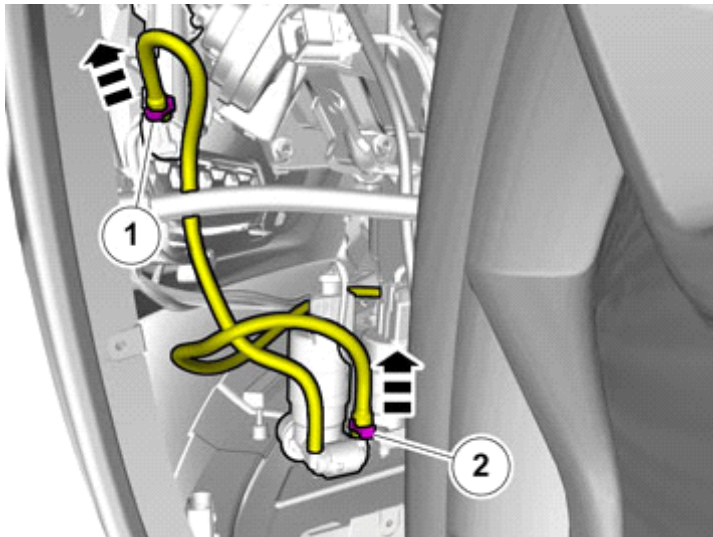
67



IMG-341914

Fold the wing liner to one side.

68



IMG-341915

Warning!

Be prepared to collect escaping fluid.

1.

Note!

Tape the hose high up on the washer fluid reservoir to prevent washer fluid from coming out.

2. Take a piece of washer hose. Tie a knot in it and place it on the washer pump to prevent the washer fluid reservoir from emptying.

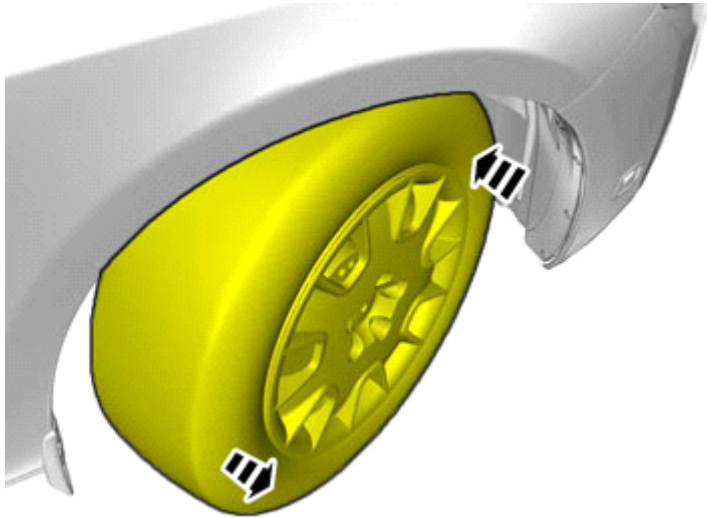
Right-hand drive vehicles



Installation instructions, accessories

Volvo Car Corporation Gothenburg, Sweden

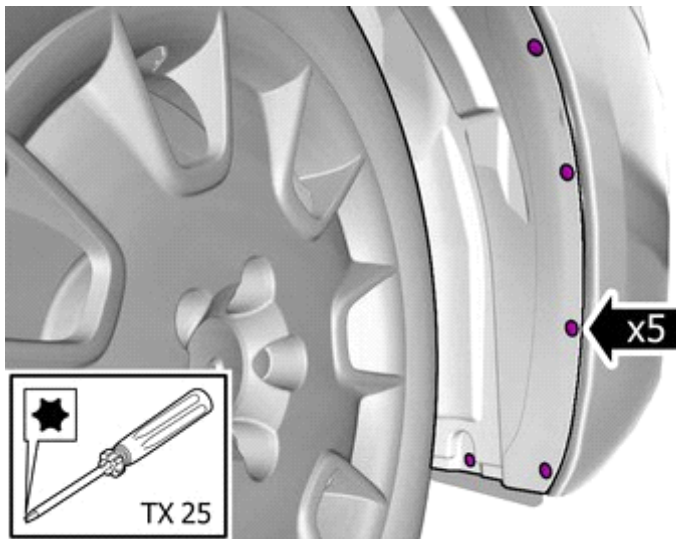
69



Turn the wheel inwards.

IMG-341916

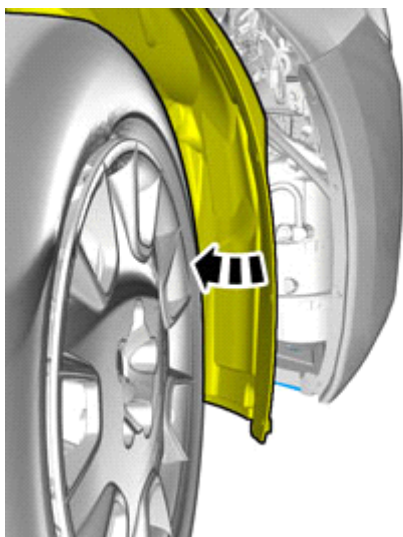
70



Remove the screws.

IMG-341917

71



Fold the wing liner to one side.

IMG-341918

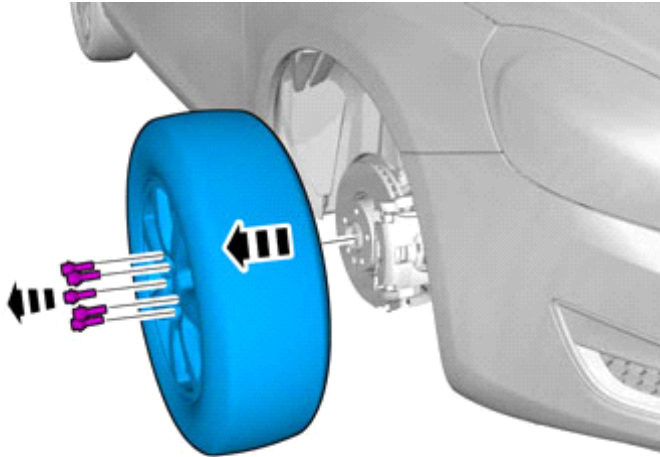


Installation instructions, accessories

Volvo Car Corporation Gothenburg, Sweden

Left hand drive vehicles

72



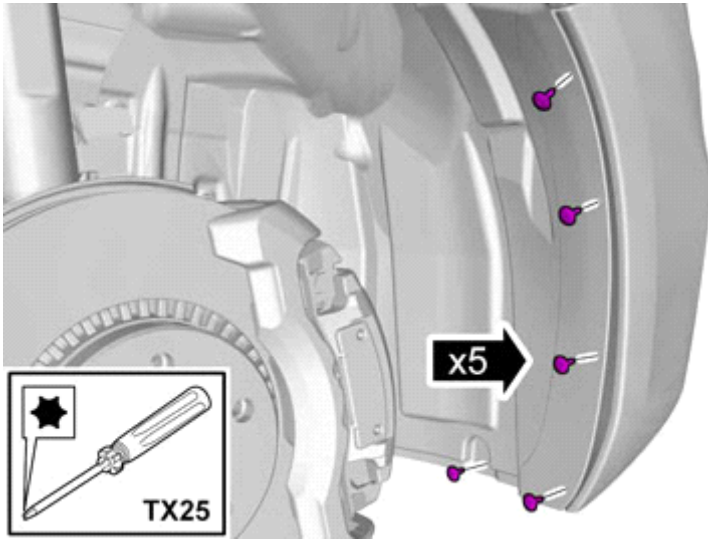
Tightening torque: Wheel to wheel hub

Stage 1: 20 Nm

Stage 2: 140 Nm

IMG-382362

73



Remove the screws.

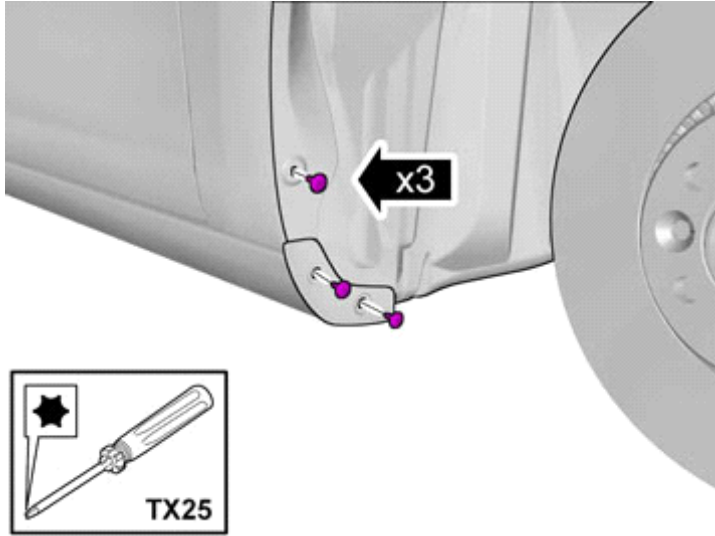
IMG-382364



Installation instructions, accessories

Volvo Car Corporation Gothenburg, Sweden

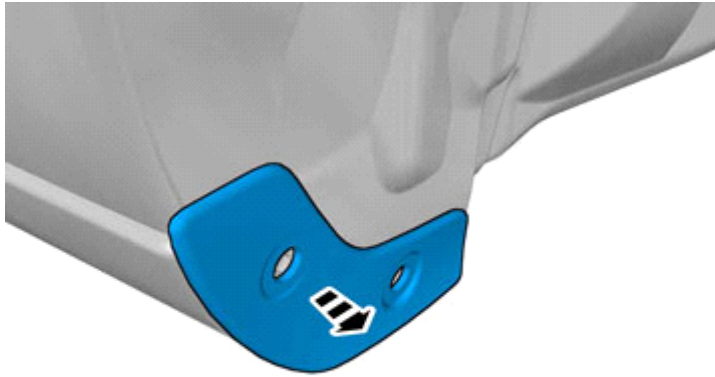
74



IMG-382363

Remove the screws.

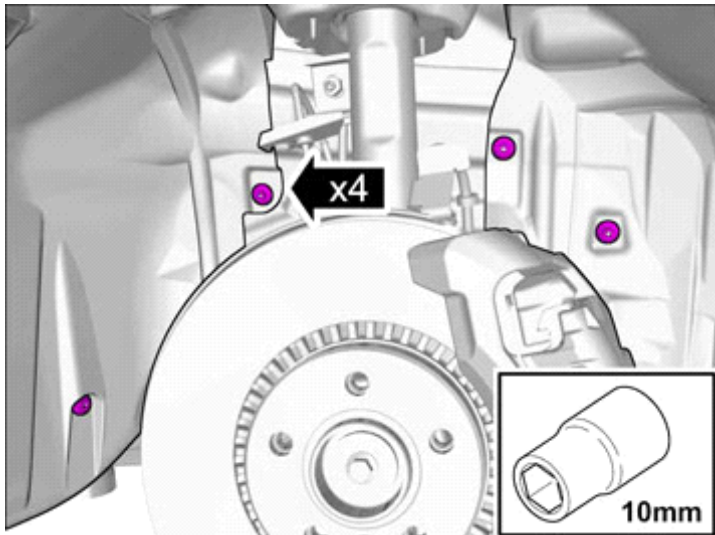
75



IMG-382366

Remove the marked part.

76



IMG-382367

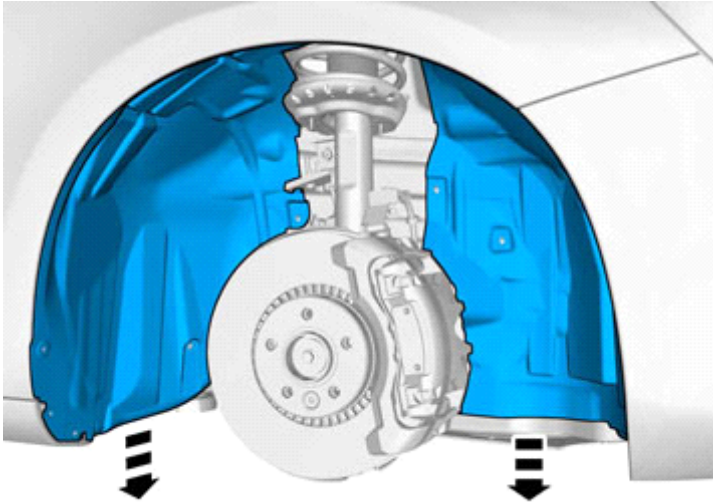
Remove the nuts.



Installation instructions, accessories

Volvo Car Corporation Gothenburg, Sweden

77

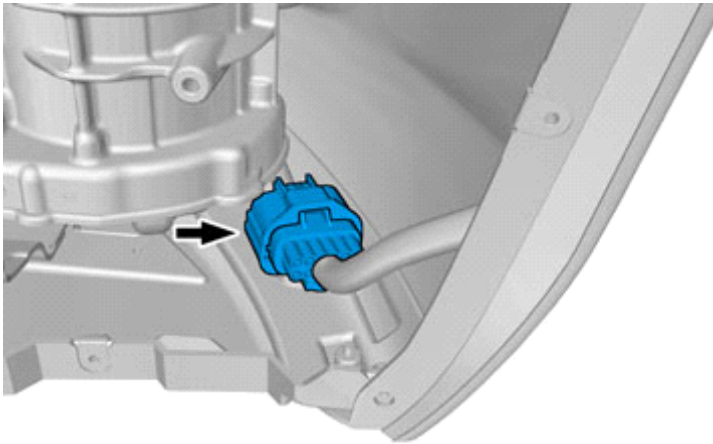


Remove the marked part.

IMG-382368

All vehicles

78



Locate the connector.

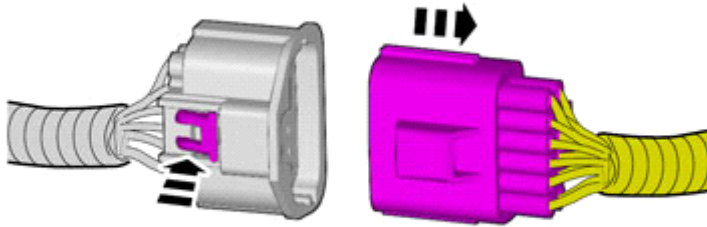
IMG-378274



Installation instructions, accessories

Volvo Car Corporation Gothenburg, Sweden

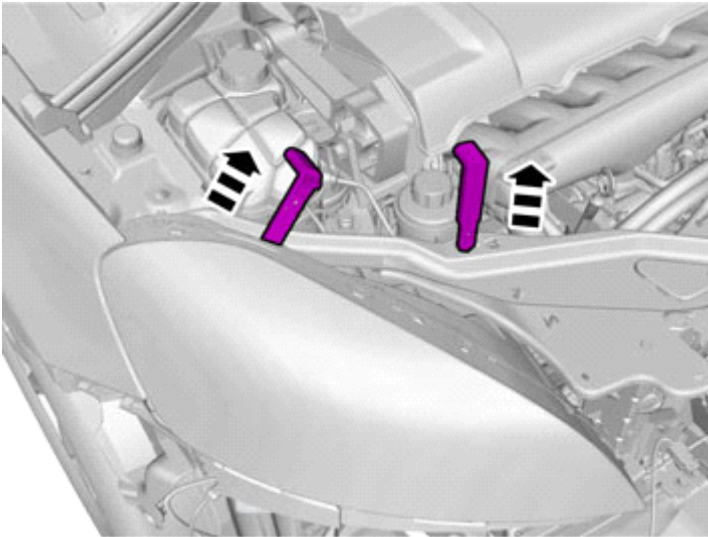
79



1. Depress the locking device.
2. Disconnect the connector.

IMG-378285

80

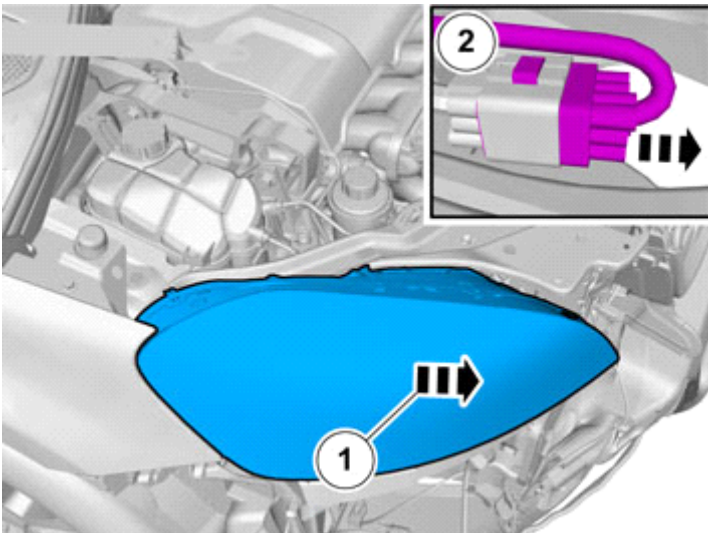


Release the locks.

RHD: The procedure is carried out on the opposite side.

IMG-307687

81



Remove the marked part.

Disconnect the connector.

RHD: The procedure is carried out on the opposite side.

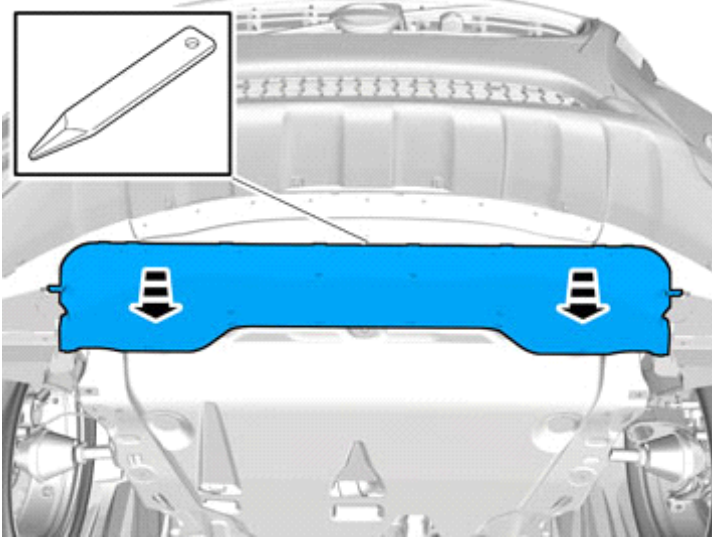
IMG-307688



Installation instructions, accessories

Volvo Car Corporation Gothenburg, Sweden

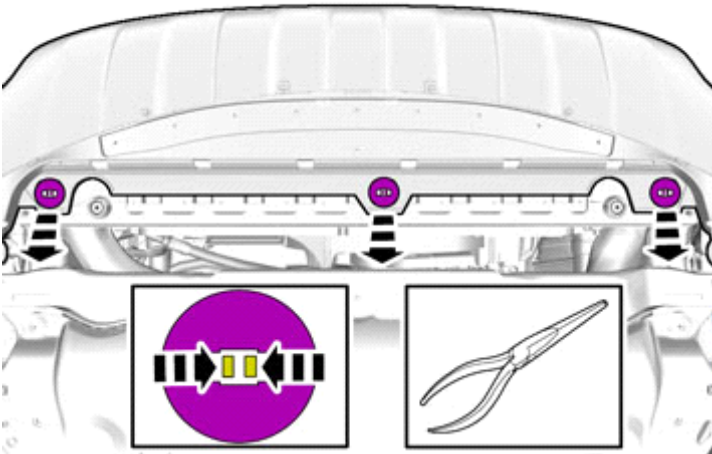
82



IMG-341924

Remove the marked part.

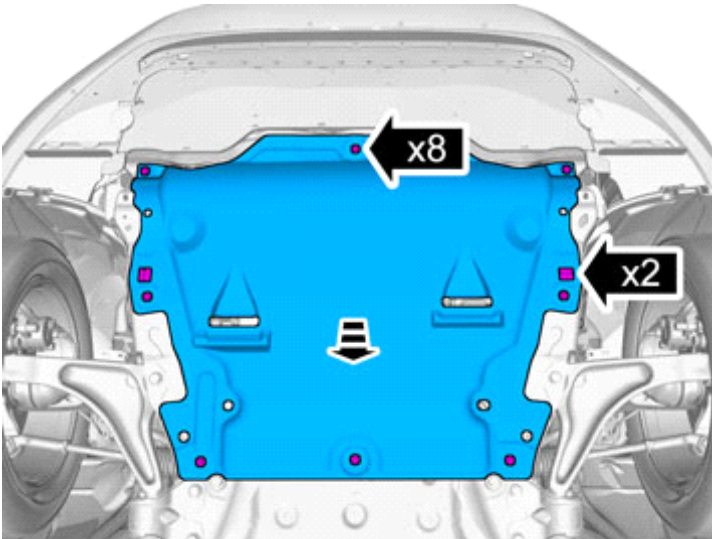
83



IMG-341927

Remove the clips.

84



IMG-382096

Remove the clips.

Remove the screws.

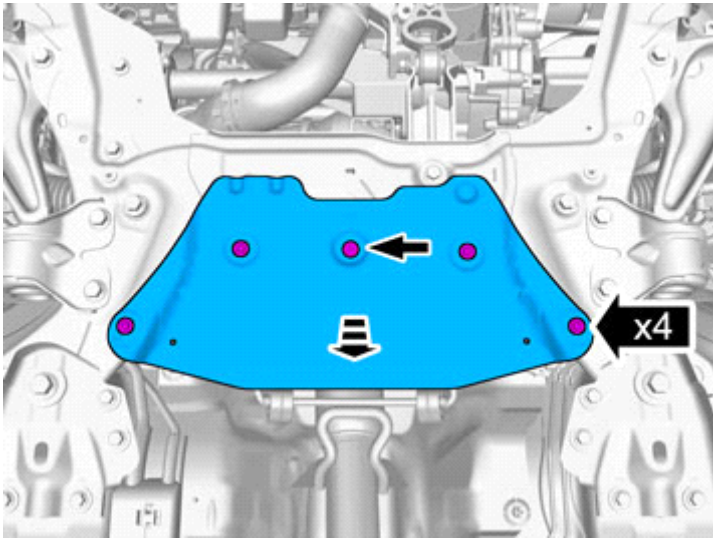
Remove the marked part.



Installation instructions, accessories

Volvo Car Corporation Gothenburg, Sweden

85



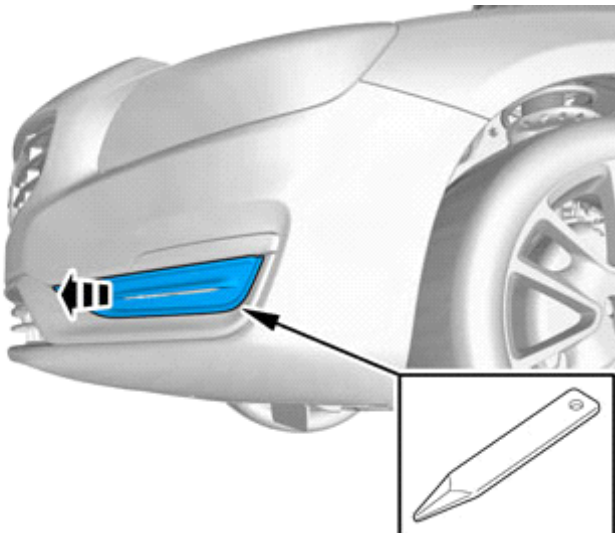
IMG-382097

Remove the clip.

Remove the screws.

Remove the marked part.

86



IMG-378560

Remove the marked part.

The part is not to be reused.

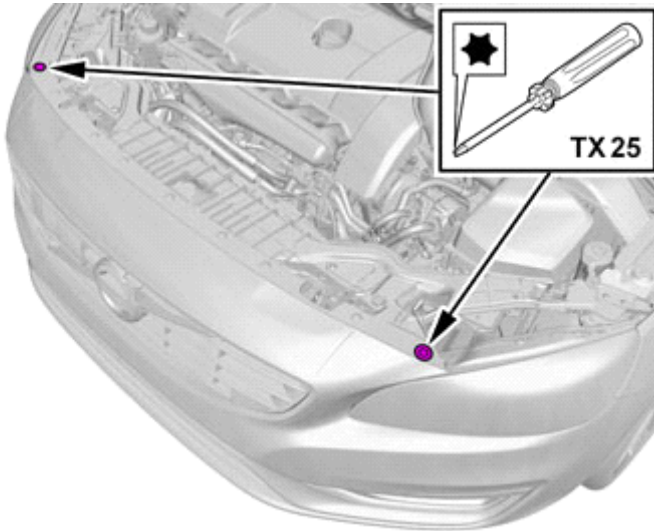
Repeat on the other side.



Installation instructions, accessories

Volvo Car Corporation Gothenburg, Sweden

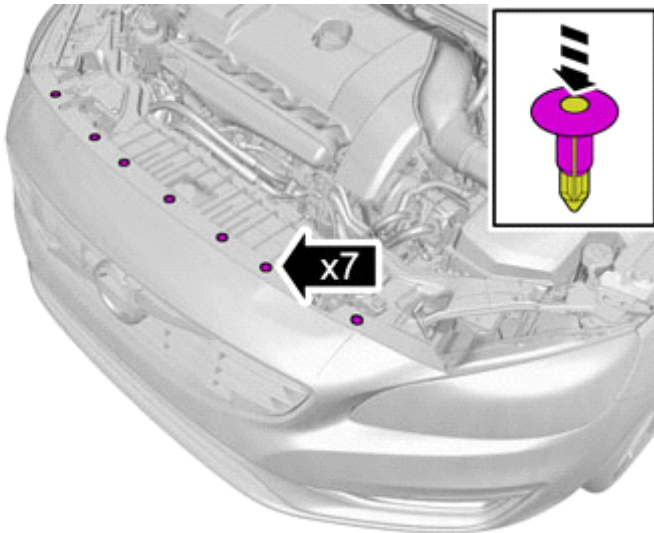
87



Remove the screws.

IMG-378108

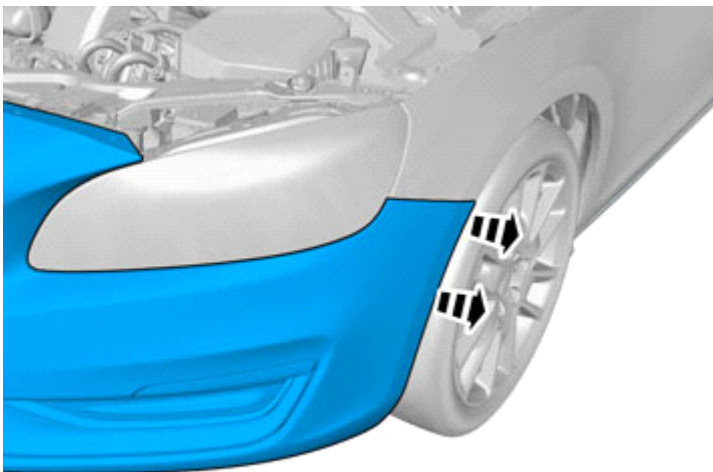
88



Remove the clips.

IMG-378111

89



Repeat on the other side.

IMG-378561



Installation instructions, accessories

Volvo Car Corporation Gothenburg, Sweden

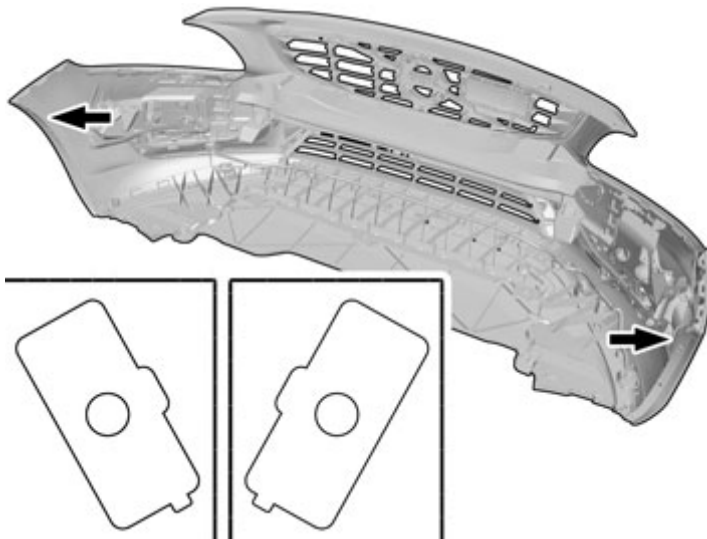
90



Caution!
Place the Bumper Cover on a suitable surface.

IMG-378577

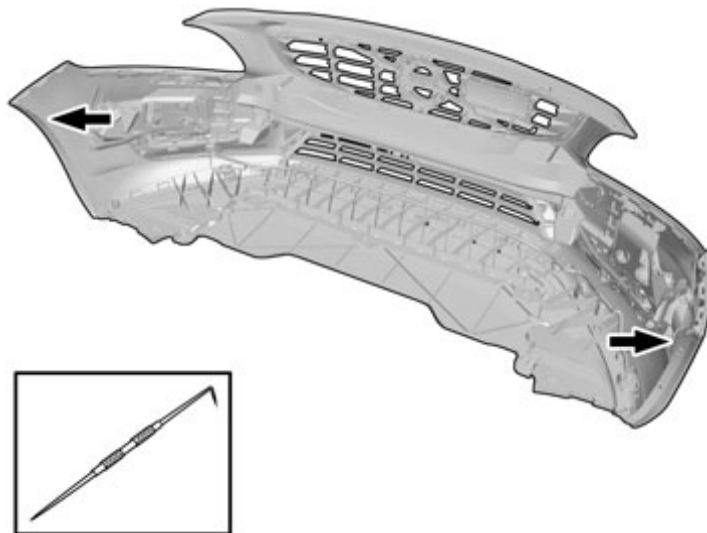
91



Locate the markings for the positions.

IMG-380218

92



Mark the centre.

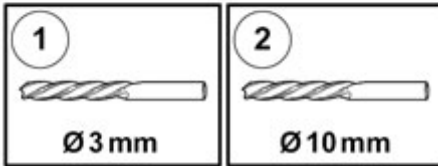
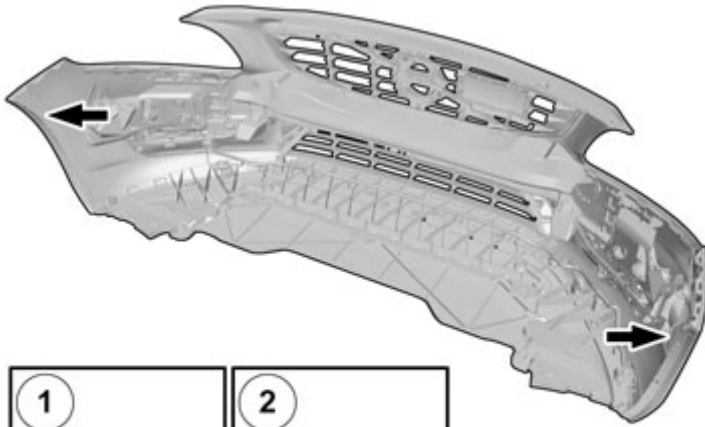
IMG-380219



Installation instructions, accessories

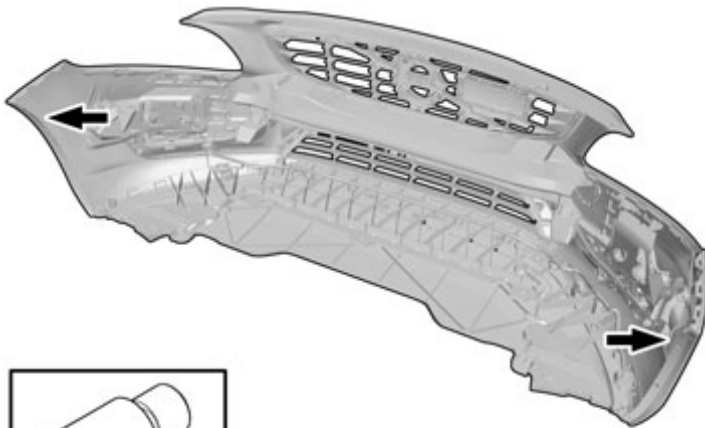
Volvo Car Corporation Gothenburg, Sweden

93



IMG-380220

94



Use special tool: T9997234, Hole stamp



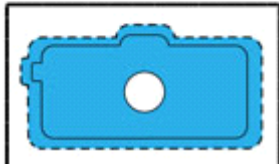
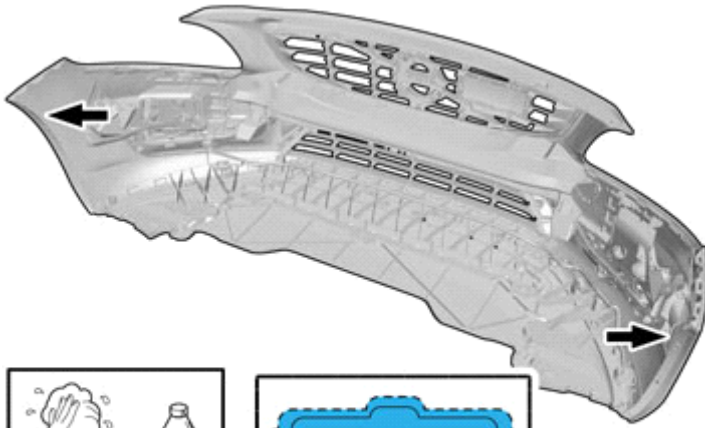
IMG-380221



Installation instructions, accessories

Volvo Car Corporation Gothenburg, Sweden

95

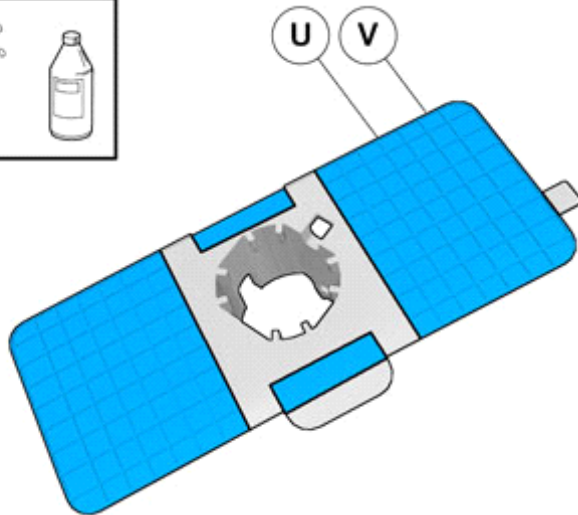


IMG-380222

Clean the surface.

Use: 1161721, Isopropanol

96

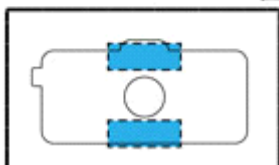
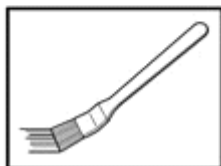
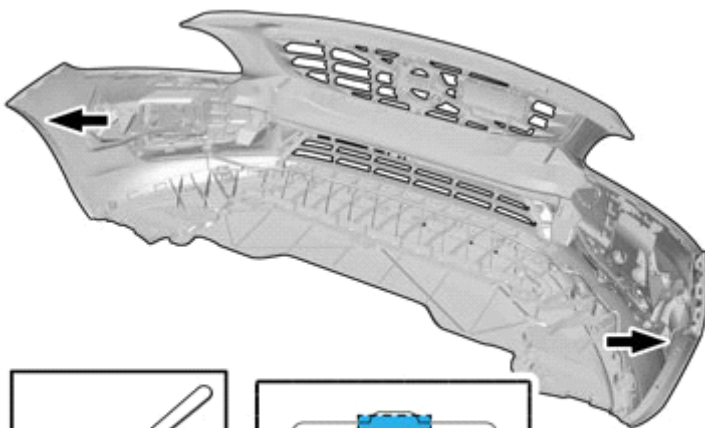


IMG-380230

Clean the surface.

Use: 1161721, Isopropanol

97



IMG-380223

Use: 1161765, Primer

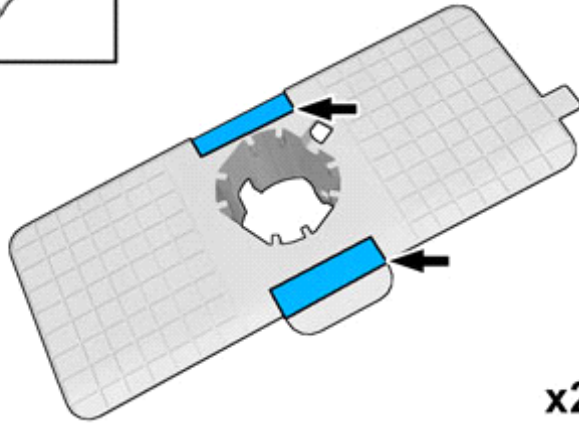
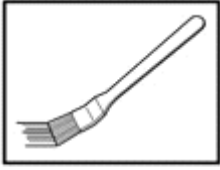
Allow to dry for at least 2 minutes, but no more than 60minutes.



Installation instructions, accessories

Volvo Car Corporation Gothenburg, Sweden

98

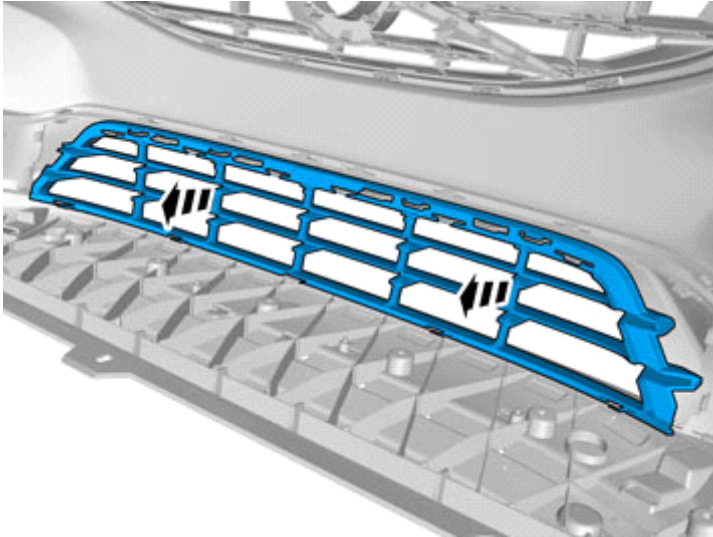


IMG-380231

Use: 1161765, Primer

Allow to dry for at least 2 minutes, but no more than 60minutes.

99



IMG-378579

The part is not to be reused.

Accessory installation

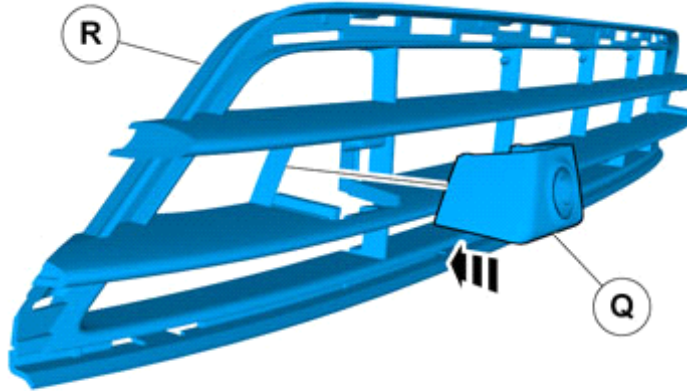


Installation instructions, accessories

Volvo Car Corporation Gothenburg, Sweden

100

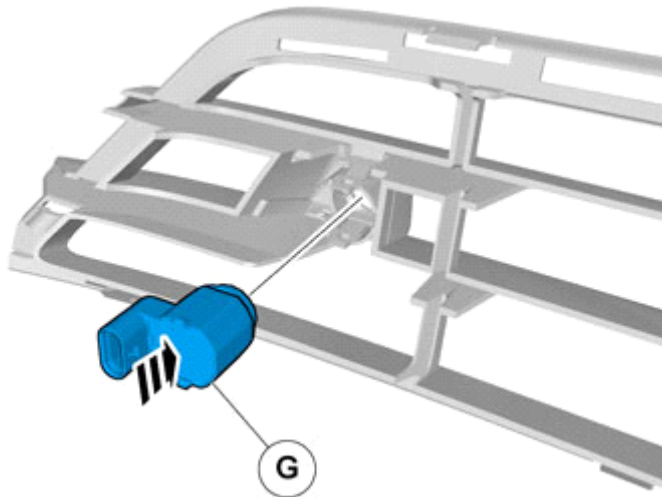
Repeat on the other side.



IMG-378581

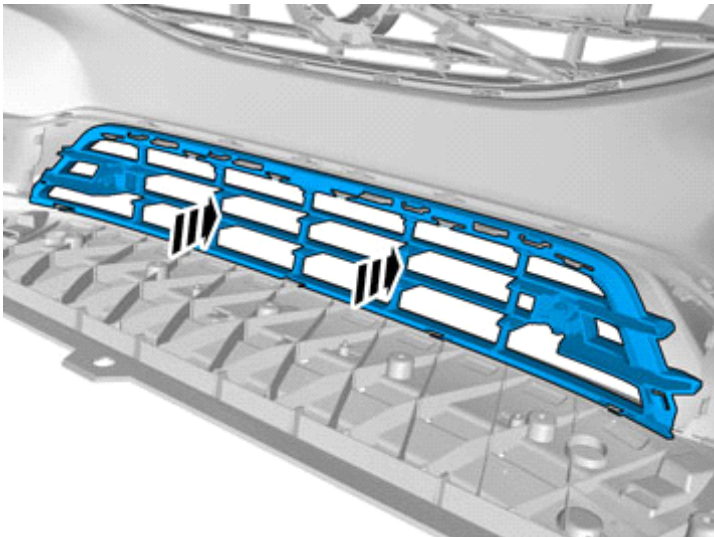
101

Repeat on the other side.



IMG-378583

102



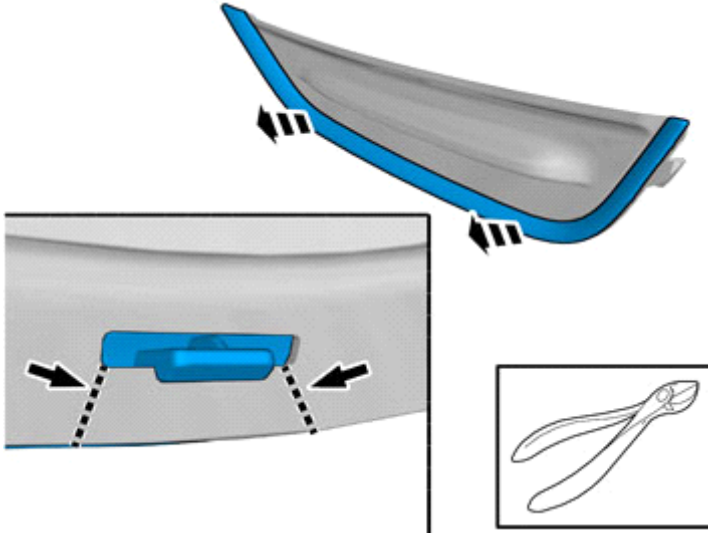
IMG-378584



Installation instructions, accessories

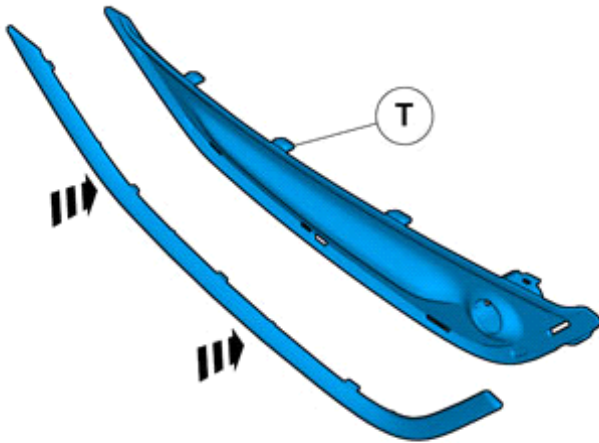
Volvo Car Corporation Gothenburg, Sweden

103



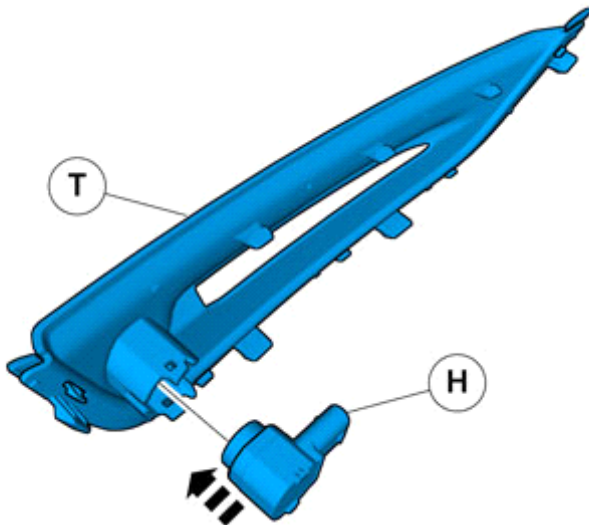
IMG-382218

104



IMG-382219

105



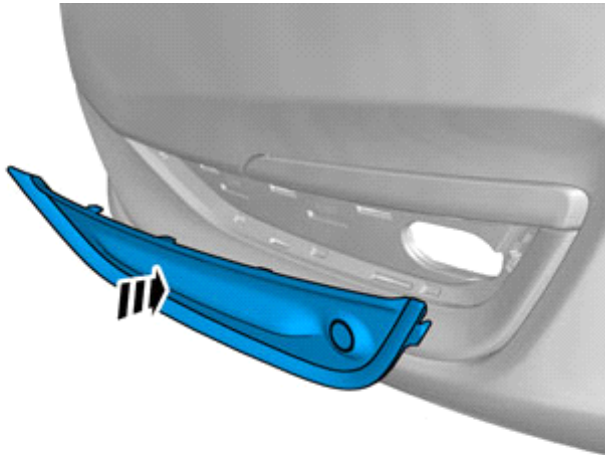
IMG-378590



Installation instructions, accessories

Volvo Car Corporation Gothenburg, Sweden

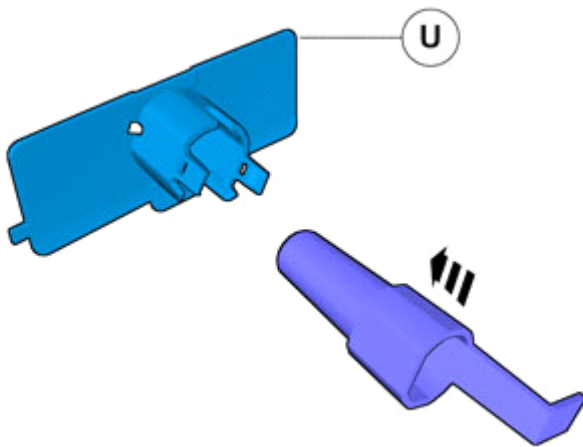
106



Repeat on the other side.

IMG-378591

107



Note!
Prepare and install one holder at a time.

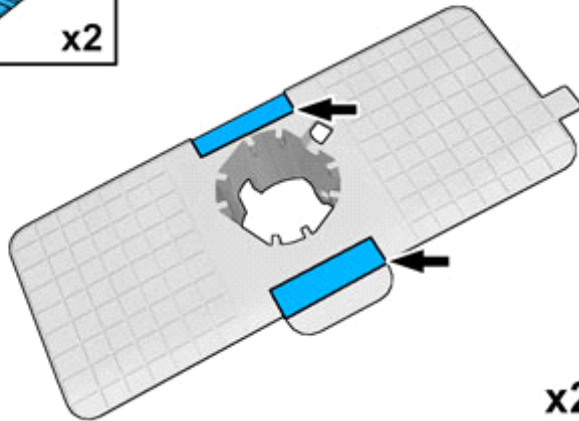
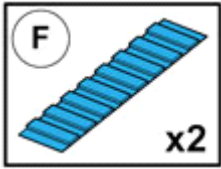
IMG-380257



Installation instructions, accessories

Volvo Car Corporation Gothenburg, Sweden

108

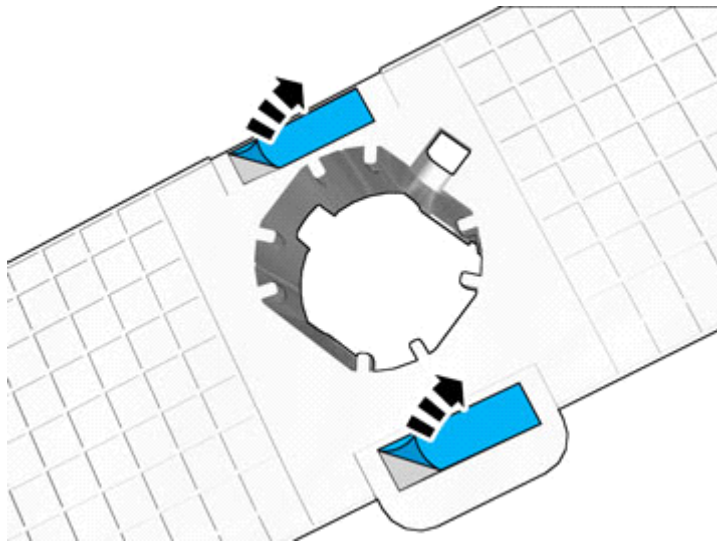


IMG-380259

Note!

Ensure that the tape is fixed to the surface.

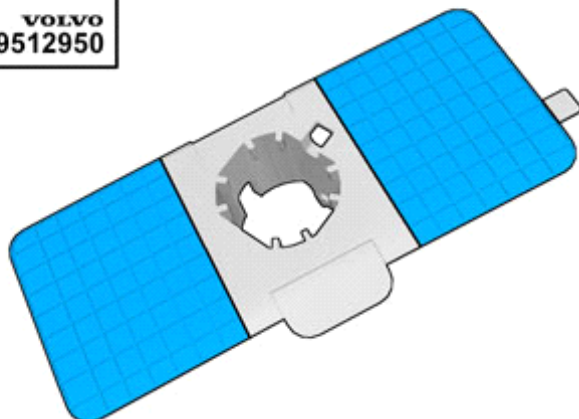
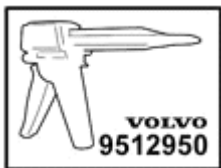
109



IMG-380264

Remove the protective film.

110



IMG-380262

Warning!

Wear protective gloves.

Warning!

Make sure to provide adequate ventilation.

Use special tool: T9512950, Glue gun (kit)

Use: 1161730, Mixing pipe

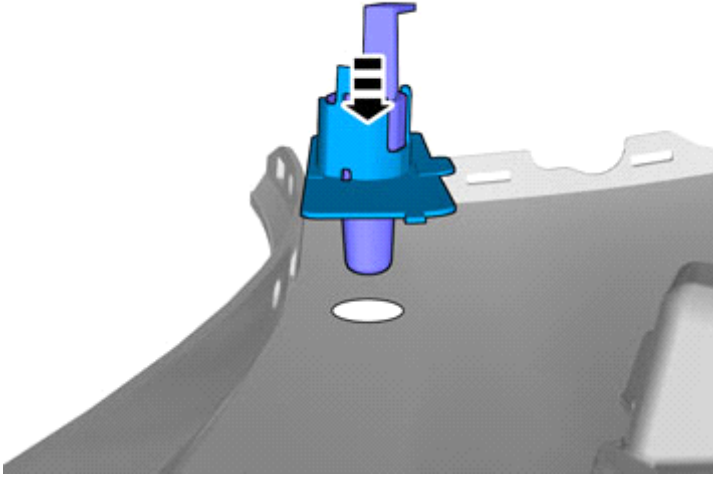
Use: 9511027, Glue



Installation instructions, accessories

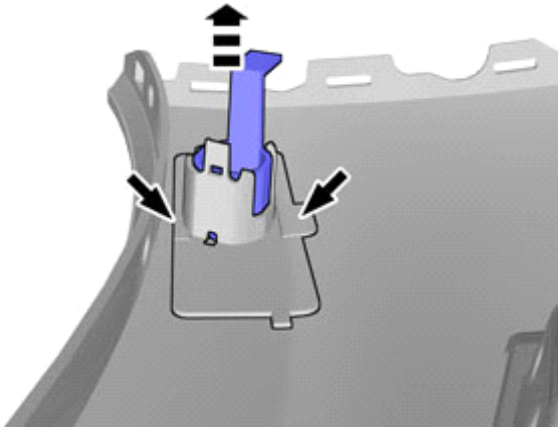
Volvo Car Corporation Gothenburg, Sweden

111



IMG-380261

112



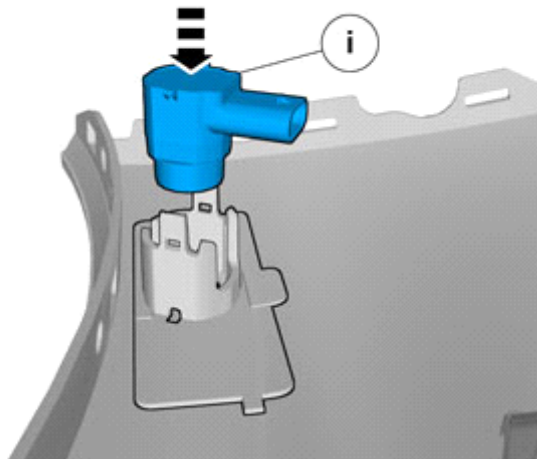
IMG-380275

Note!

Hold the part securely at the marker arrows when removing the tool.

113

Repeat on the other side.



IMG-380279



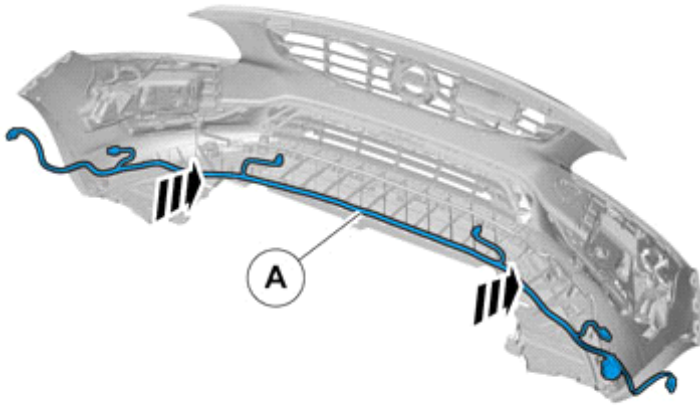
Installation instructions, accessories

Volvo Car Corporation Gothenburg, Sweden

114

Put the wiring in the Bumper cover without installing the wiring.

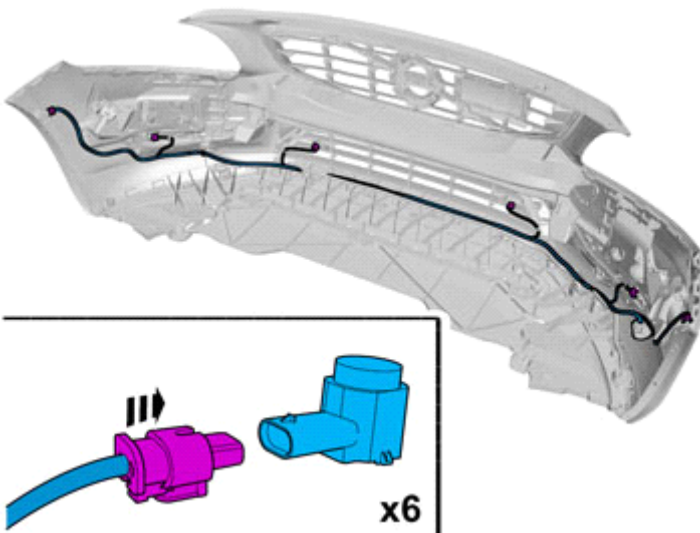
RHD: The cable harness is positioned mirrored.



IMG-378592

115

Connect the connectors.



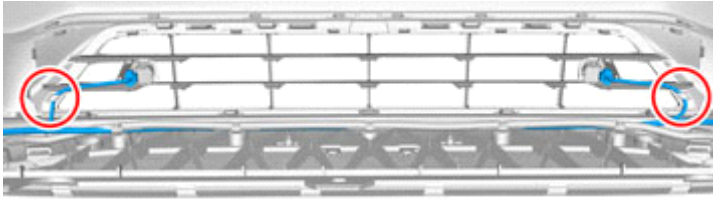
IMG-380283



Installation instructions, accessories

Volvo Car Corporation Gothenburg, Sweden

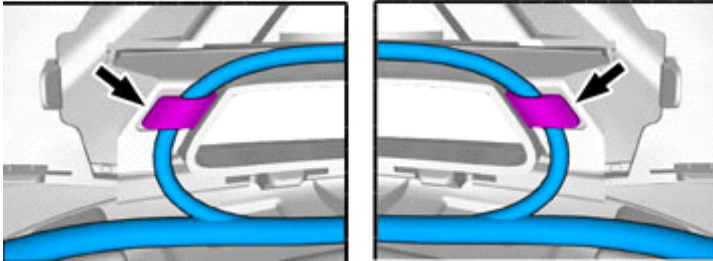
116



Note!

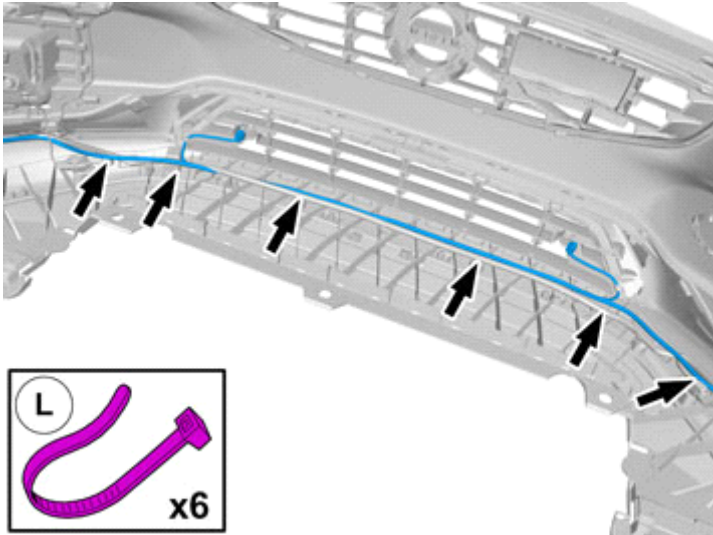
Make sure that the wiring harness is not visible from outside.

Position/route the cable harness as illustrated.



IMG-378598

117



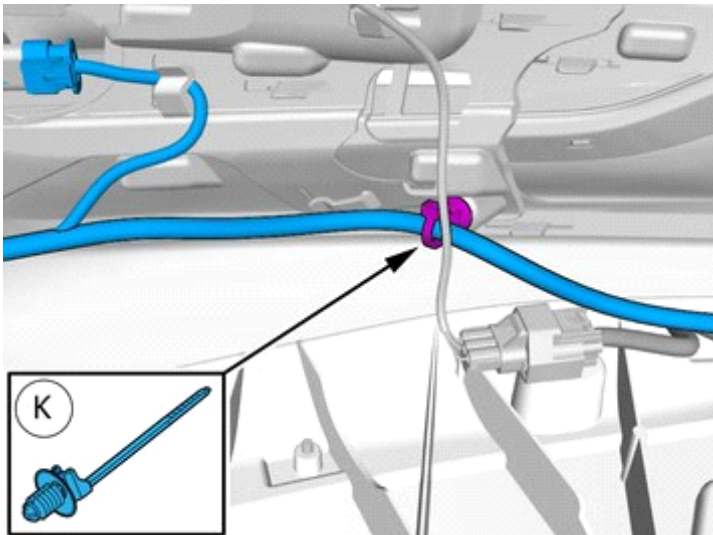
Route the cable harness to the existing cable harness.

Adjust the position of the wiring harness.

Tighten the cable ties.

IMG-378596

118



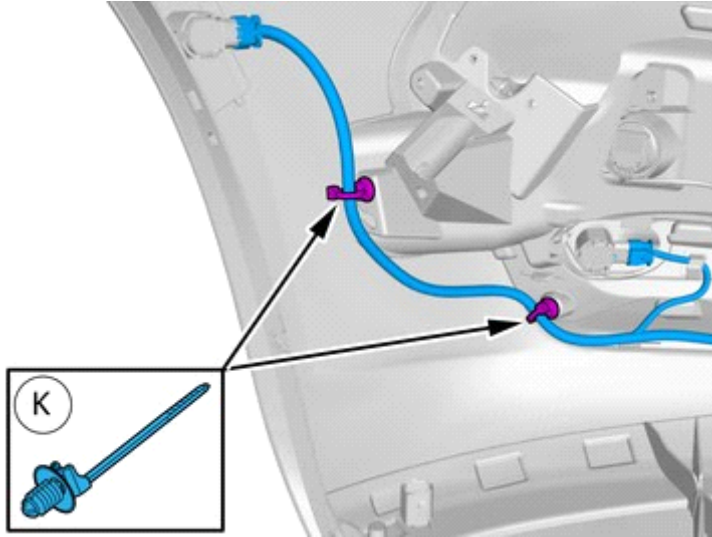
IMG-396898



Installation instructions, accessories

Volvo Car Corporation Gothenburg, Sweden

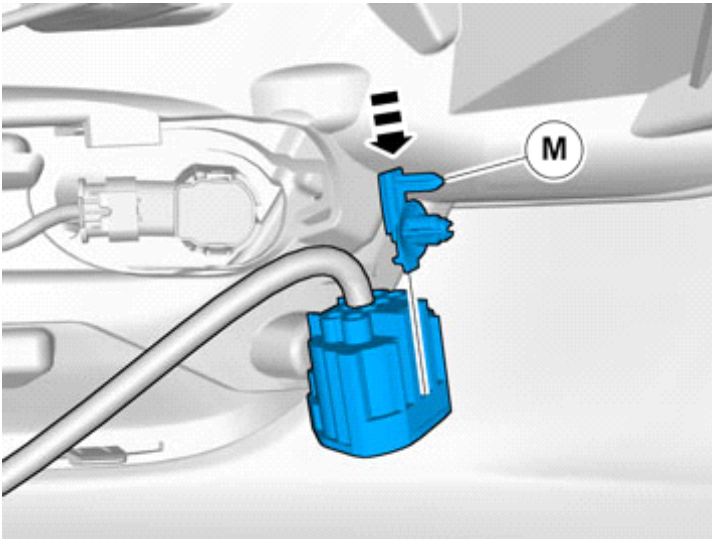
119



IMG-380288

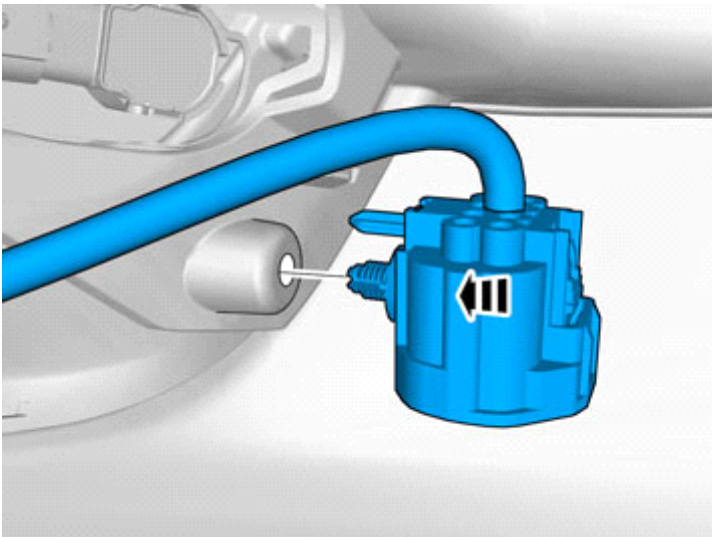
Repeat on the other side.

120



IMG-378602

121



IMG-378603

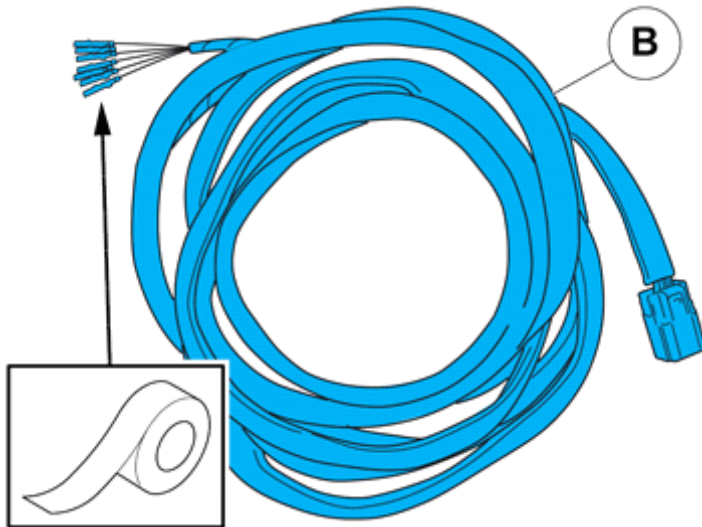


Installation instructions, accessories

Volvo Car Corporation Gothenburg, Sweden

Left hand drive vehicles

122

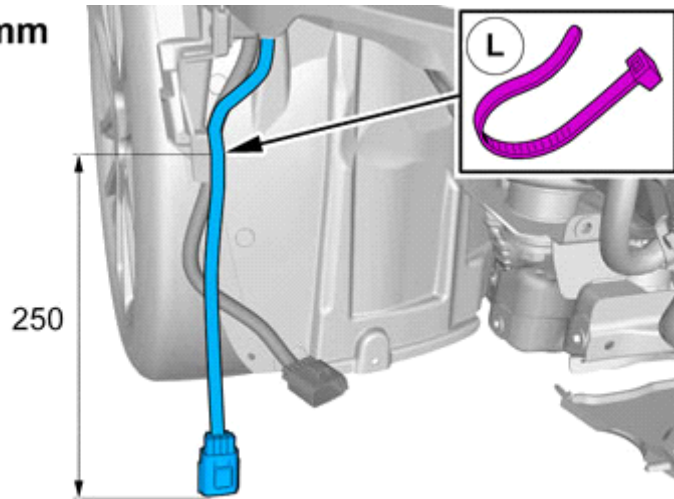


IMG-373258

Use: , Electrical tape

123

mm



IMG-382238

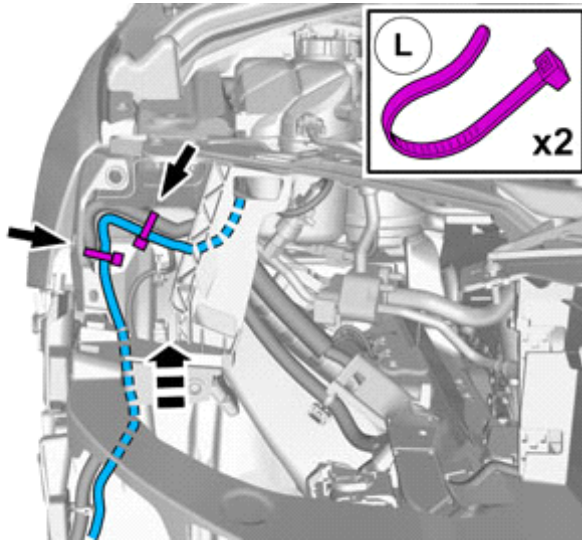
Position/route the cable harness as illustrated.



Installation instructions, accessories

Volvo Car Corporation Gothenburg, Sweden

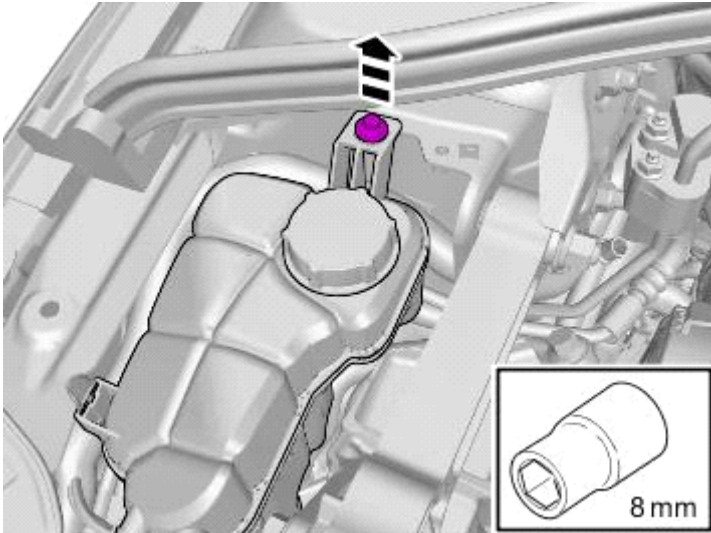
124



IMG-382240

Position/route the cable harness as illustrated.

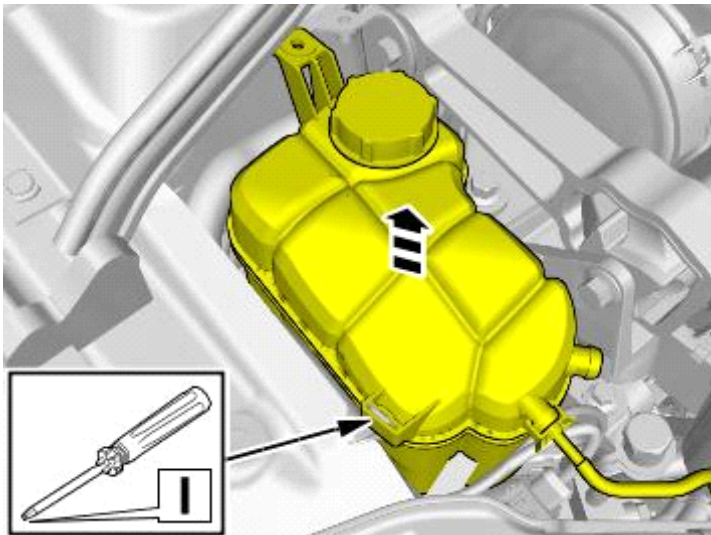
125



IMG-385294

Remove the screw.

126



IMG-385291

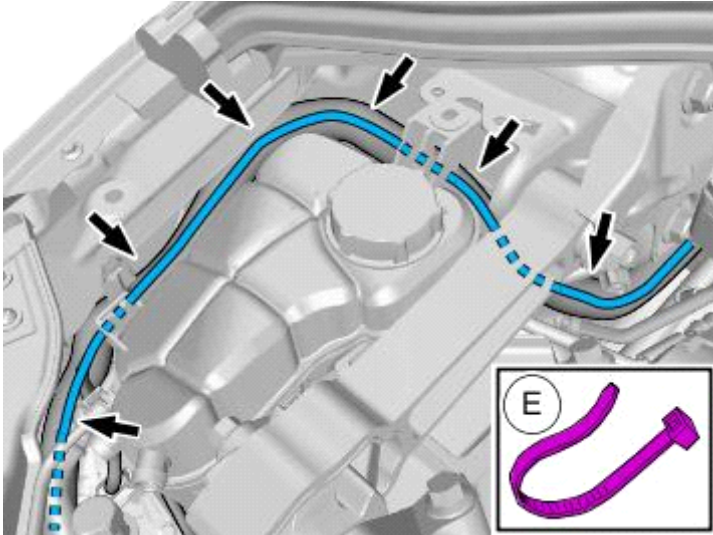
Remove the marked part.



Installation instructions, accessories

Volvo Car Corporation Gothenburg, Sweden

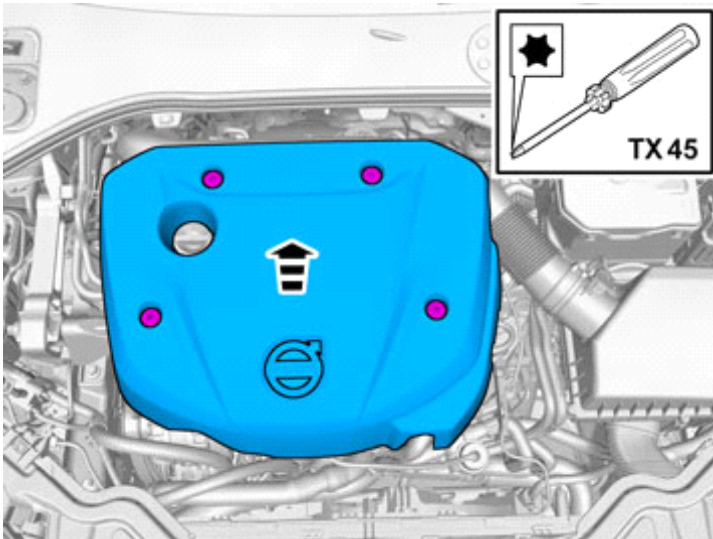
127



IMG-385299

Position/route the cable harness as illustrated.

128

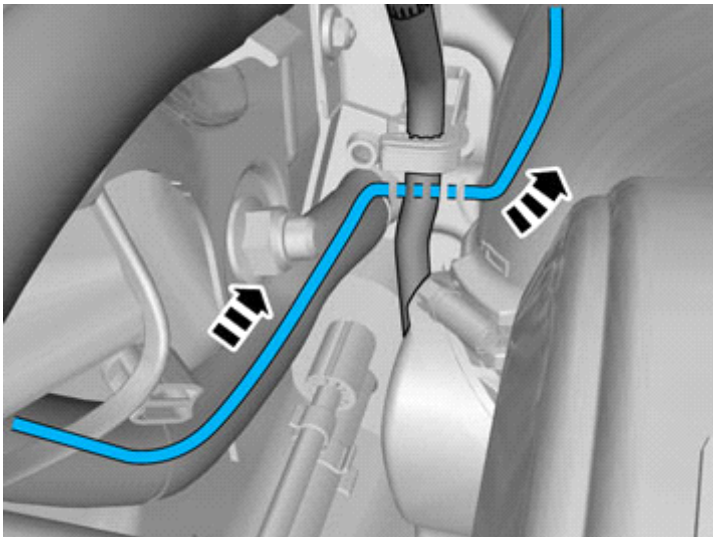


IMG-382242

Remove the screws.

Remove the marked part.

129



IMG-382377

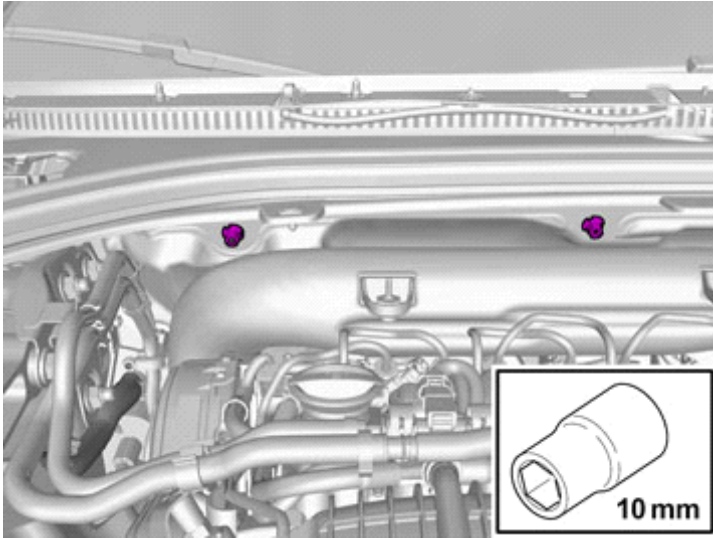
Position/route the cable harness as illustrated.



Installation instructions, accessories

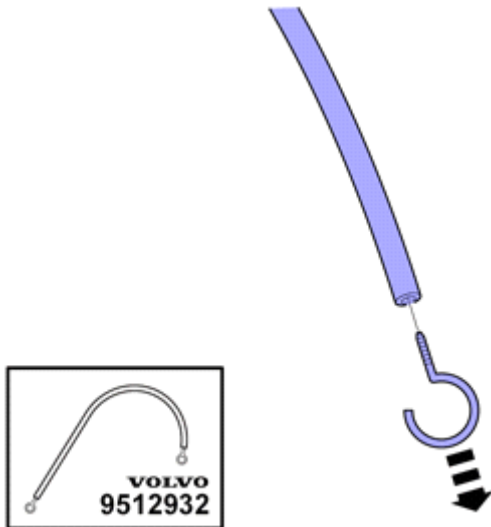
Volvo Car Corporation Gothenburg, Sweden

130



Remove the nuts.

131



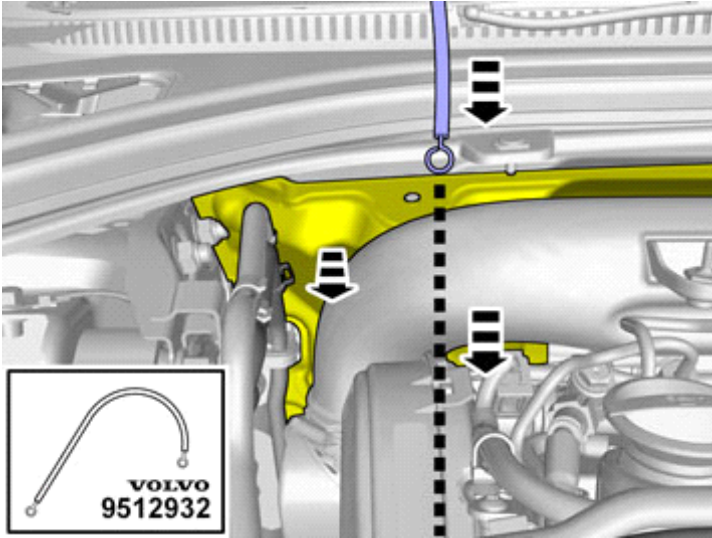
Use special tool: T9512932, Tension spring



Installation instructions, accessories

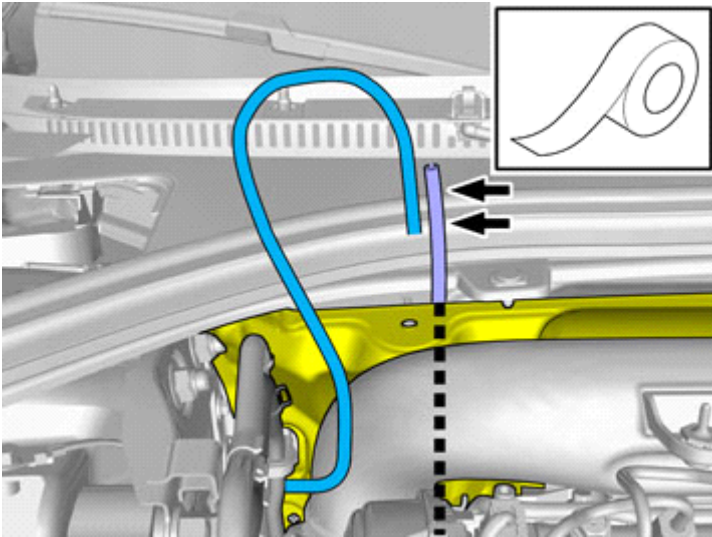
Volvo Car Corporation Gothenburg, Sweden

132



IMG-382378

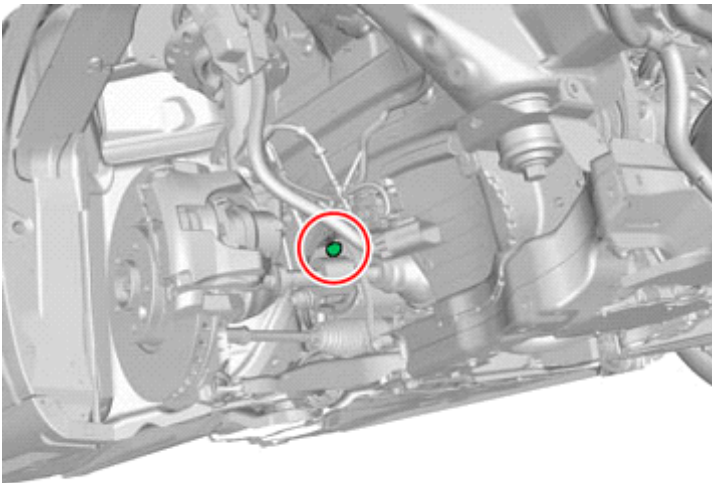
133



IMG-382381

Use: , Electrical tape

134



IMG-382388

Note!
Orientation view

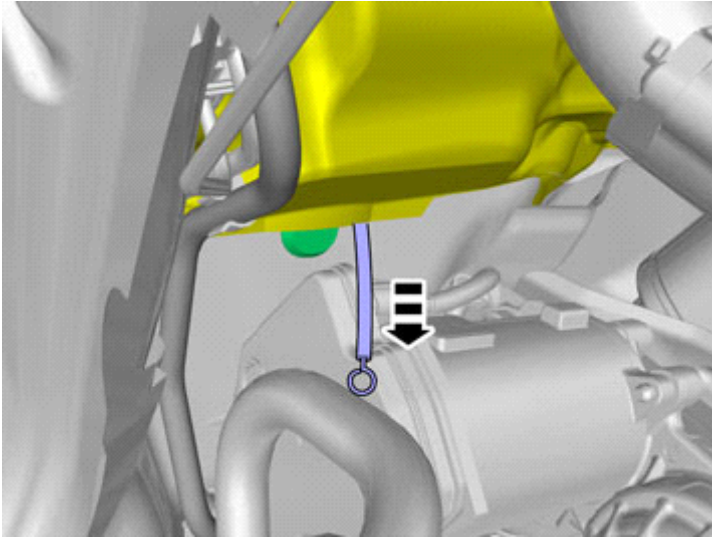
Note!
On some markets the rubber grommet may be covered by the heat shield.



Installation instructions, accessories

Volvo Car Corporation Gothenburg, Sweden

135

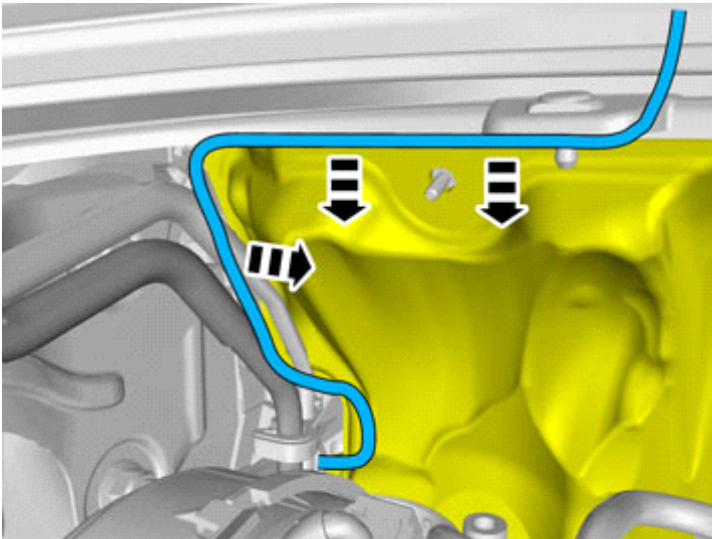


IMG-382389

Pull the wiring through.

Remove the Special Tool.

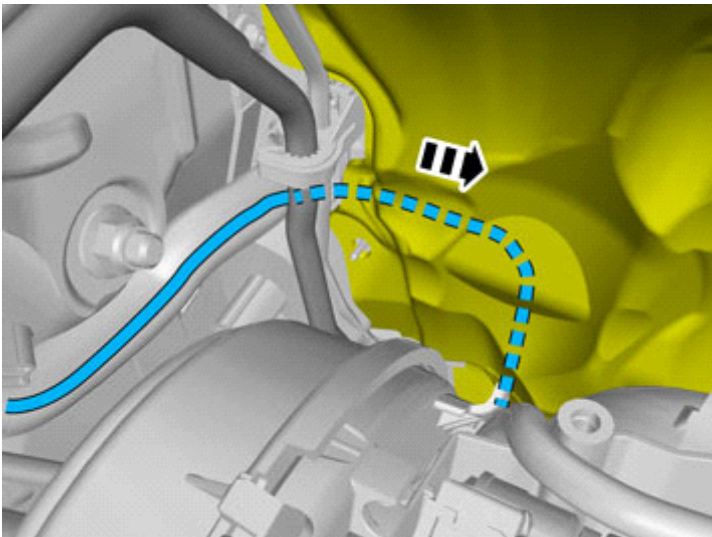
136



IMG-382392

Position/route the cable harness as illustrated.

137



IMG-382393

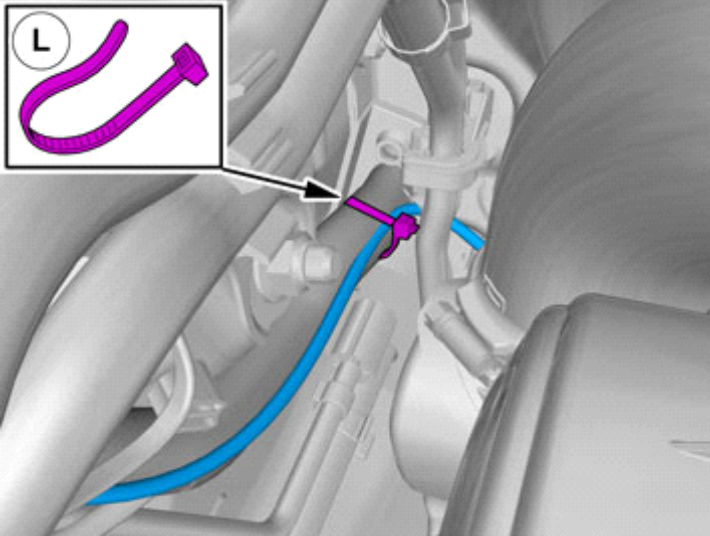
Position/route the cable harness as illustrated.



Installation instructions, accessories

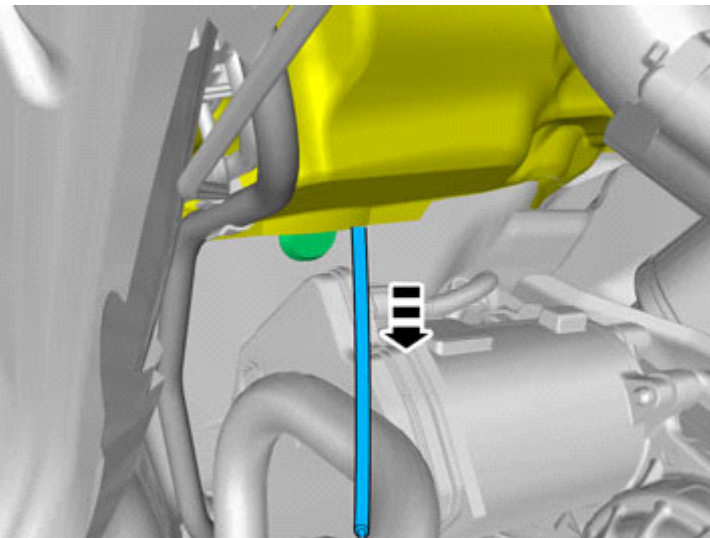
Volvo Car Corporation Gothenburg, Sweden

138



IMG-382395

139



IMG-382399

Pull the wiring through.

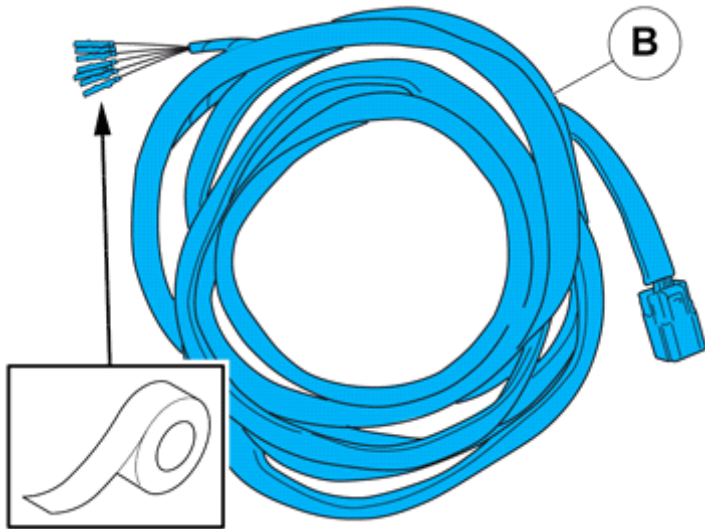
Right-hand drive vehicles



Installation instructions, accessories

Volvo Car Corporation Gothenburg, Sweden

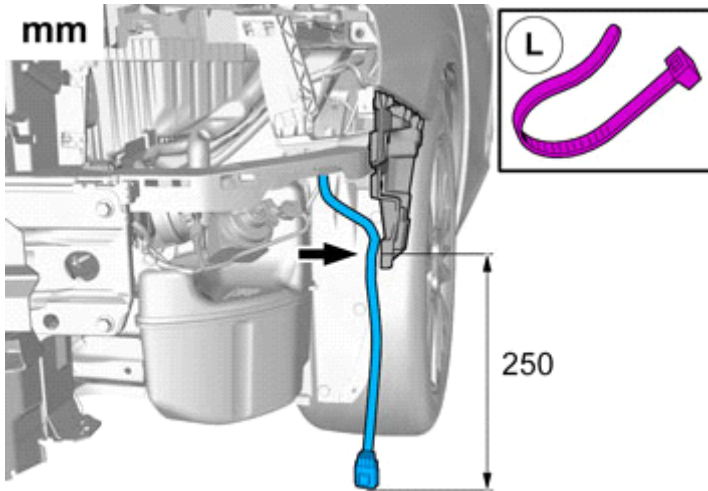
140



IMG-373258

Use: , Electrical tape

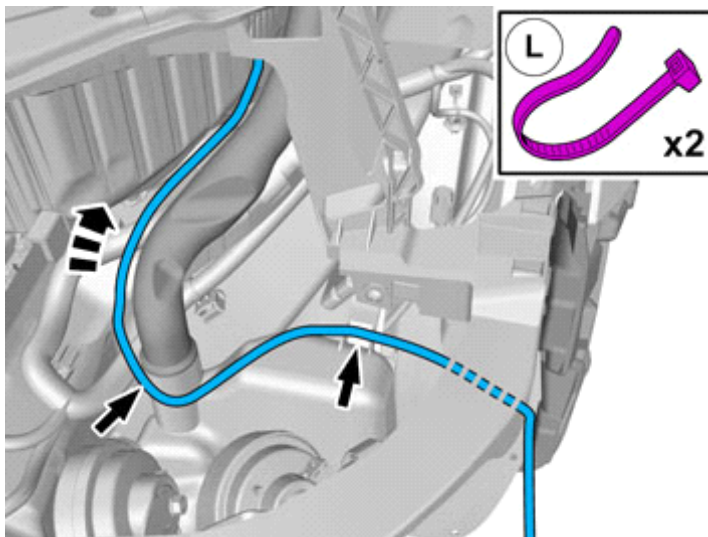
141



IMG-382245

Position/route the cable harness as illustrated.

142



IMG-382246

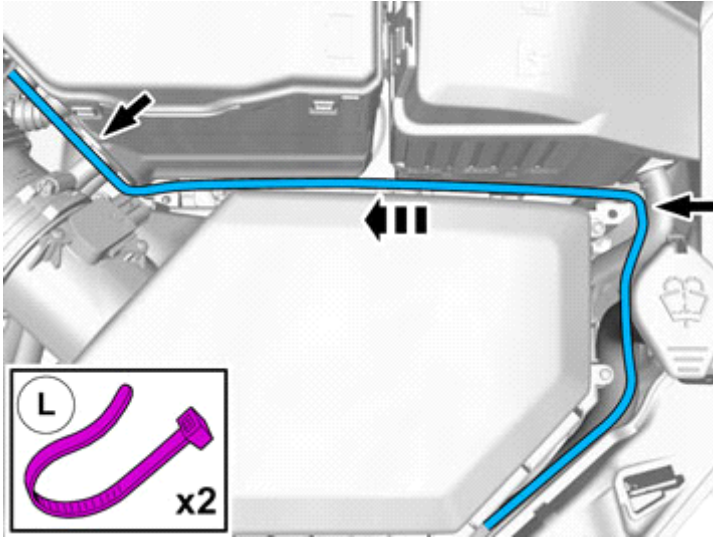
Position/route the cable harness as illustrated.



Installation instructions, accessories

Volvo Car Corporation Gothenburg, Sweden

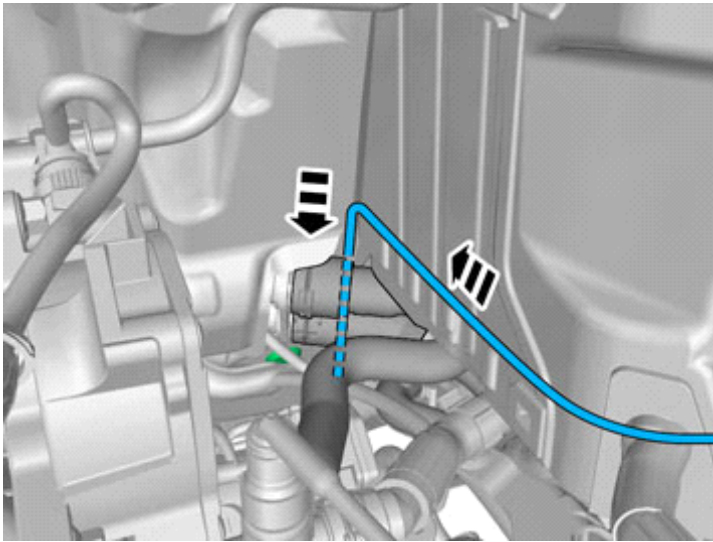
143



IMG-382247

Position/route the cable harness as illustrated.

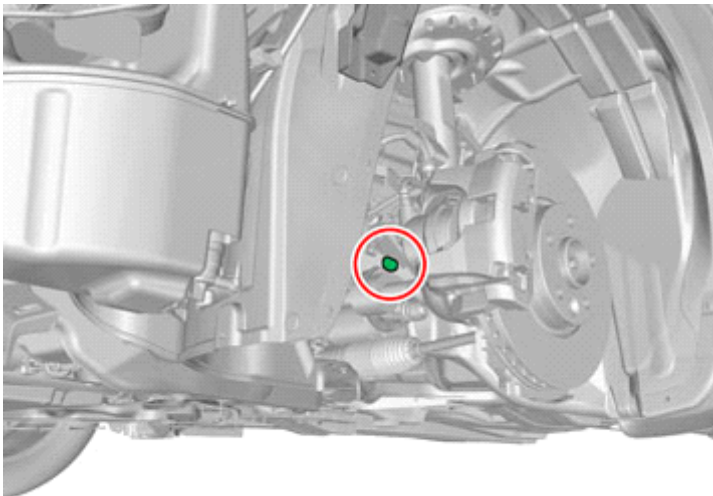
144



IMG-382258

Position/route the cable harness as illustrated.

145



IMG-382262

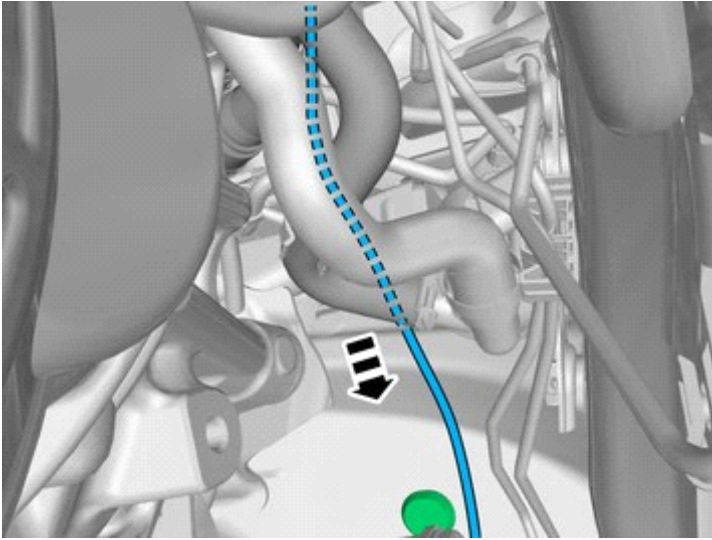
Note!
Orientation view



Installation instructions, accessories

Volvo Car Corporation Gothenburg, Sweden

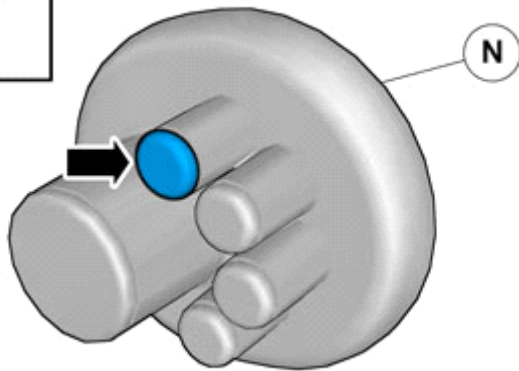
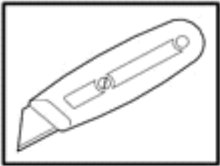
146



IMG-396813

All vehicles

147



IMG-372722

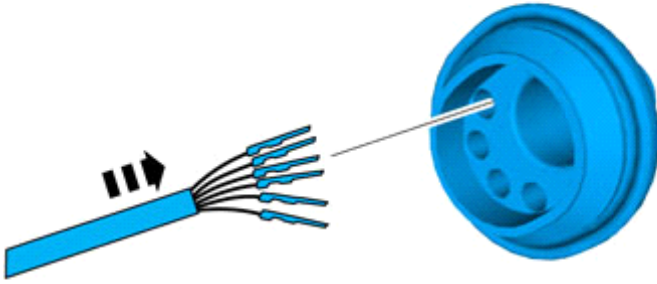


Installation instructions, accessories

Volvo Car Corporation Gothenburg, Sweden

148

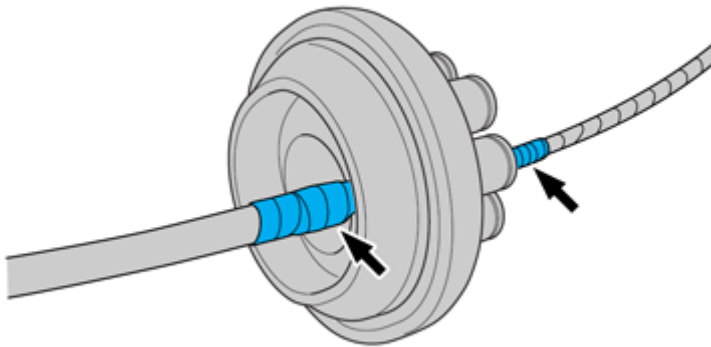
Pull the wiring through.



IMG-382174

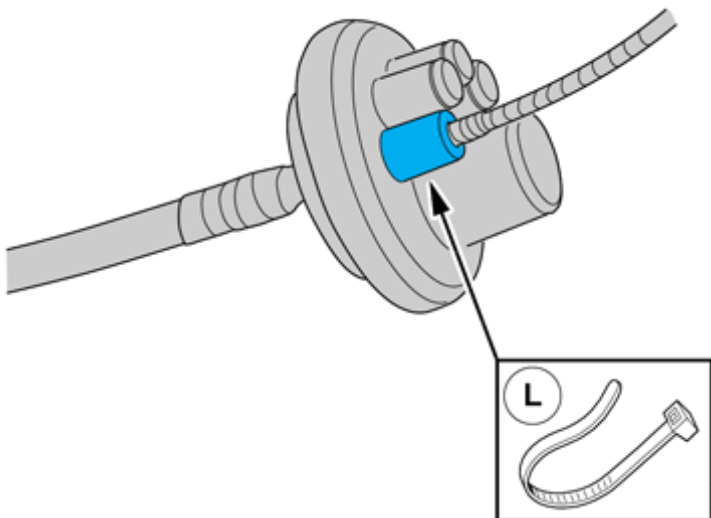
149

Place the component where indicated in the graphic.



IMG-382176

150



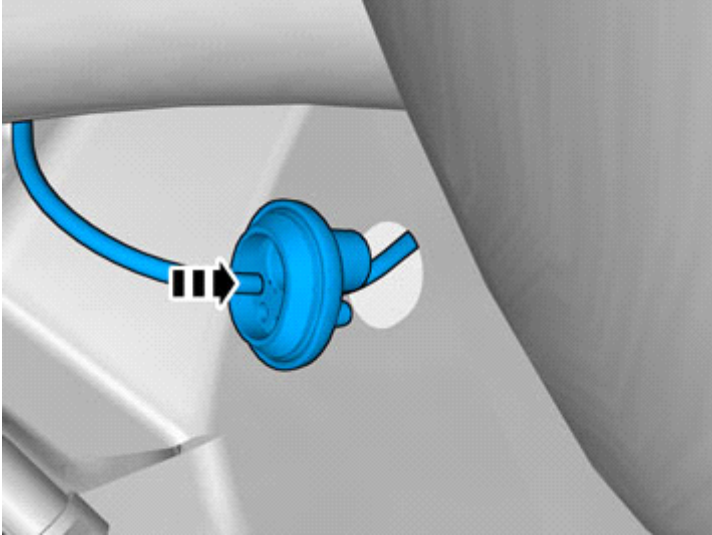
IMG-382175



Installation instructions, accessories

Volvo Car Corporation Gothenburg, Sweden

151



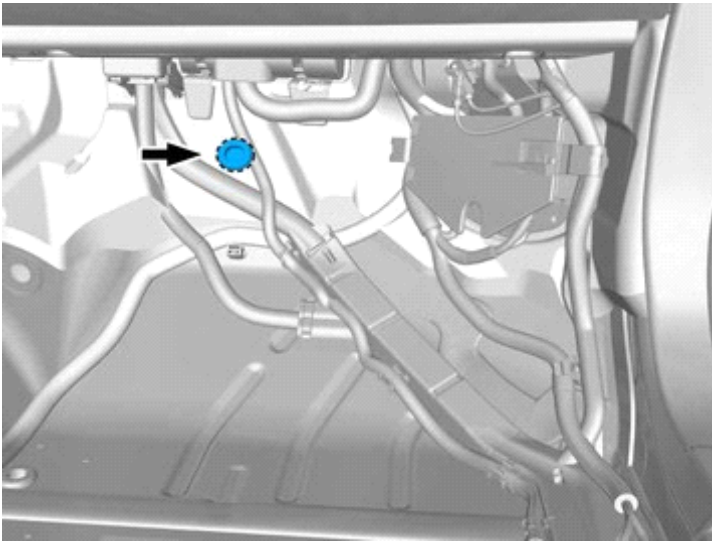
IMG-382183

Note!

Push the rubber grommet well through the hole.

Route the wiring harness into the passenger compartment.

152

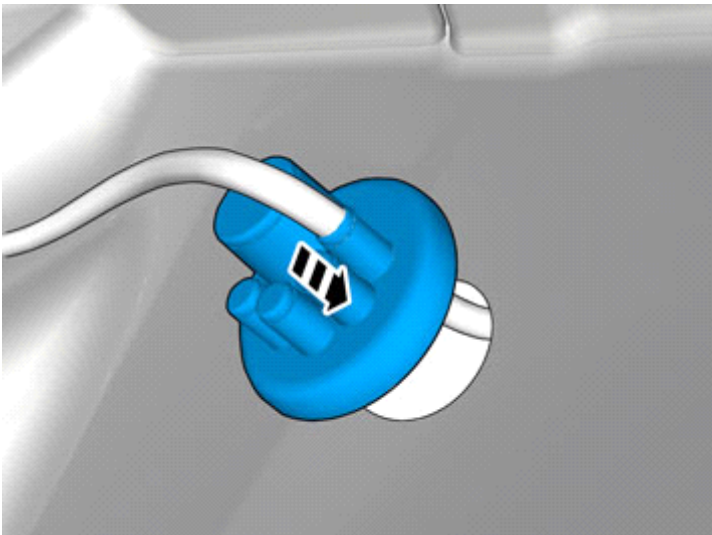


IMG-396281

Note!

Orientation view

153



IMG-382178

Caution!

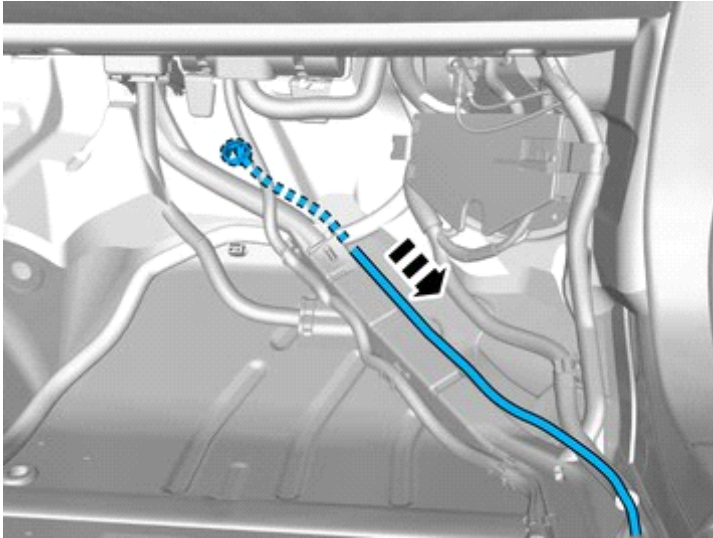
Make sure that the rubber grommet seals properly to the body.



Installation instructions, accessories

Volvo Car Corporation Gothenburg, Sweden

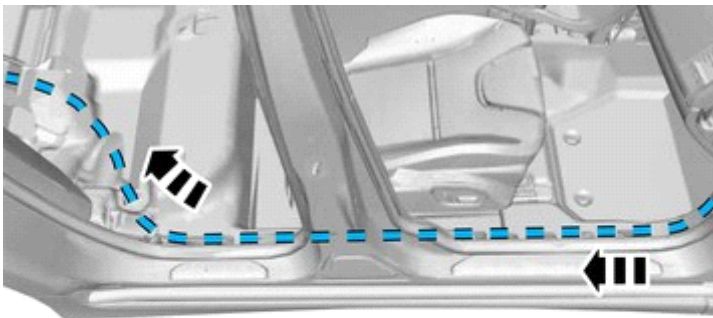
154



IMG-396275

Position/route the cable harness as illustrated.

155



IMG-396277

Position/route the cable harness as illustrated.

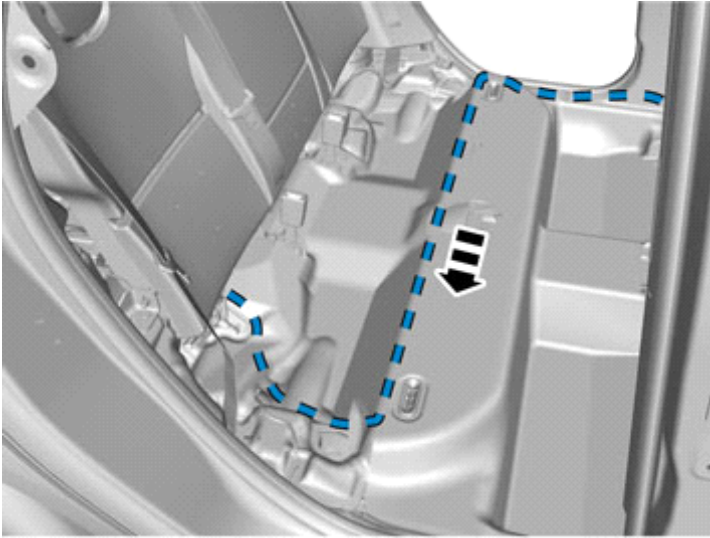
Right-hand drive vehicles



Installation instructions, accessories

Volvo Car Corporation Gothenburg, Sweden

156

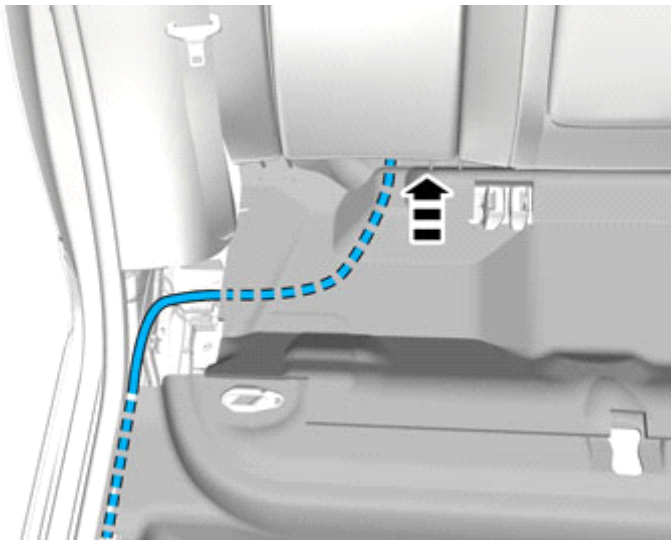


IMG-308083

Position/route the cable harness as illustrated.

All vehicles

157



IMG-378628

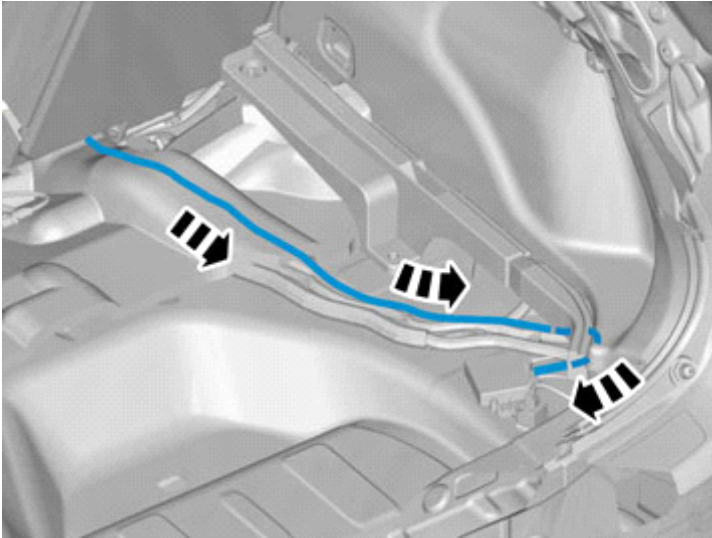
Position/route the cable harness as illustrated.



Installation instructions, accessories

Volvo Car Corporation Gothenburg, Sweden

158



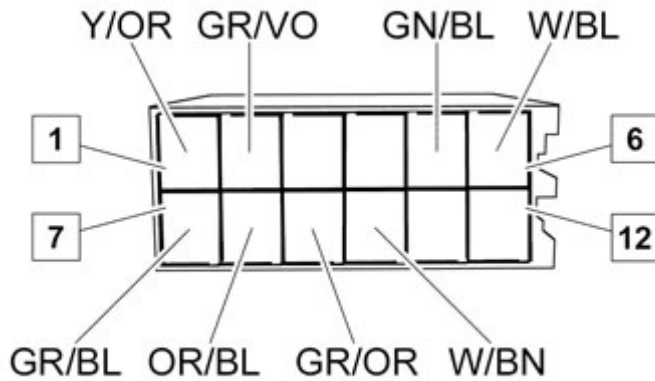
IMG-346331

Position/route the cable harness as illustrated.

Left hand drive vehicles

159

Connect the cable harness terminals in the connector as follows.



IMG-361341

Right-hand drive vehicles

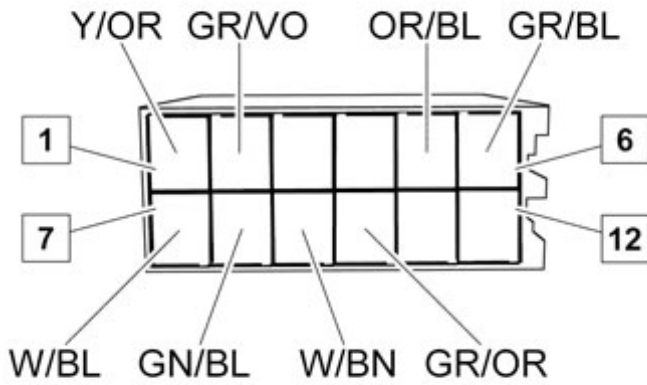


Installation instructions, accessories

Volvo Car Corporation Gothenburg, Sweden

160

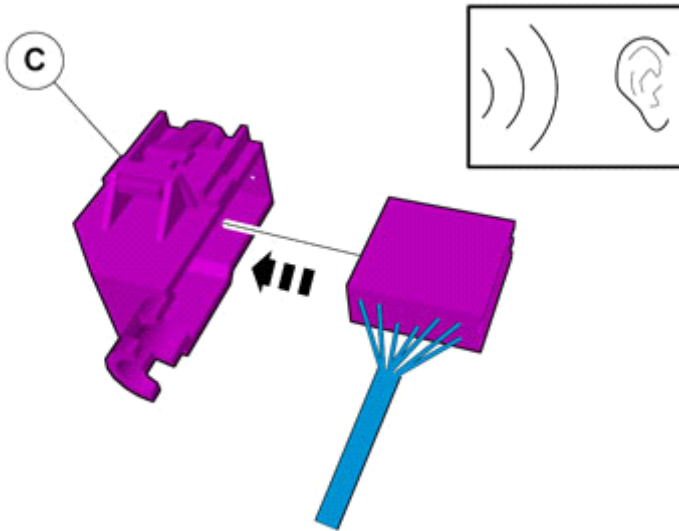
Connect the cable harness terminals in the connector as follows.



IMG-361342

All vehicles

161



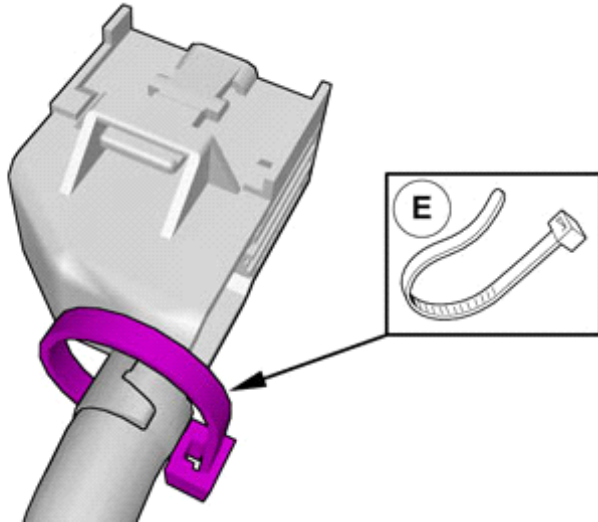
IMG-361376



Installation instructions, accessories

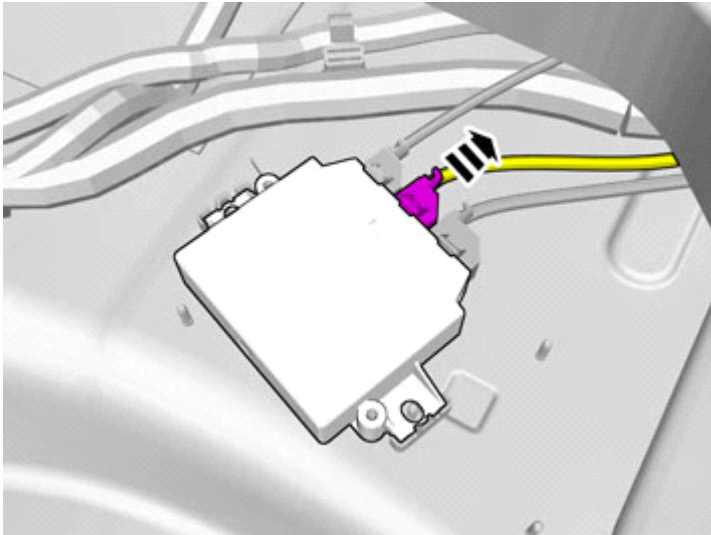
Volvo Car Corporation Gothenburg, Sweden

162



IMG-361377

163



IMG-378052

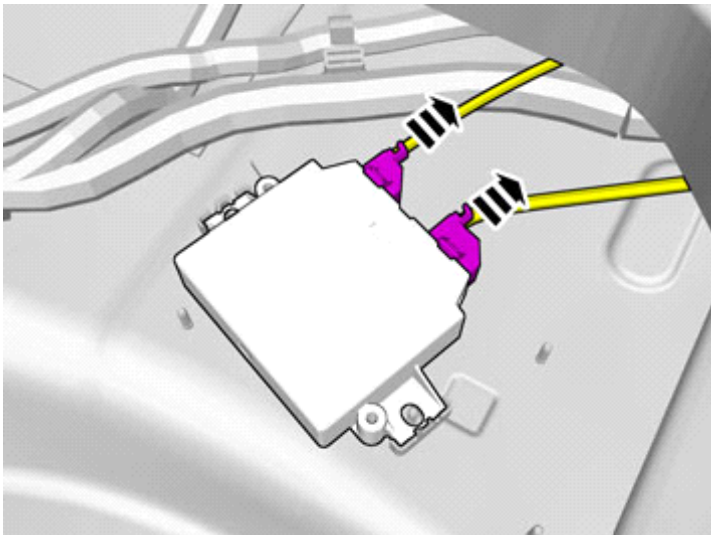
Disconnect the connector, if applicable.

Attach the connector to the wiring harness.

Use: , Electrical tape

The connector is not to be used.

164



IMG-378055

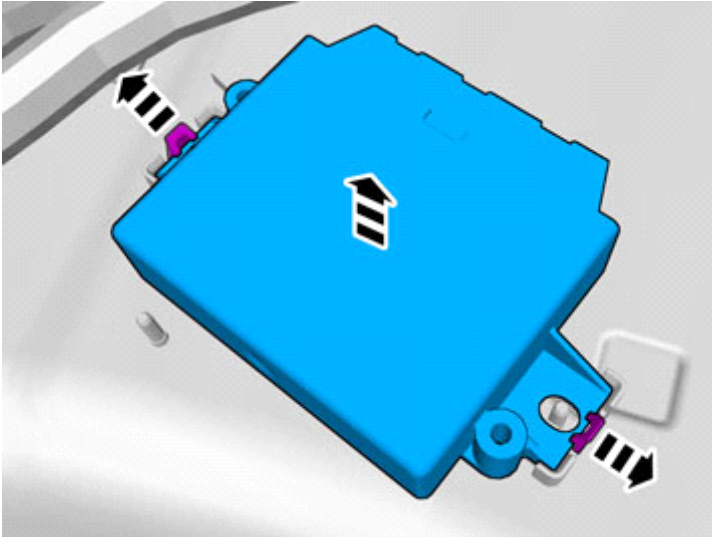
Disconnect the connectors.



Installation instructions, accessories

Volvo Car Corporation Gothenburg, Sweden

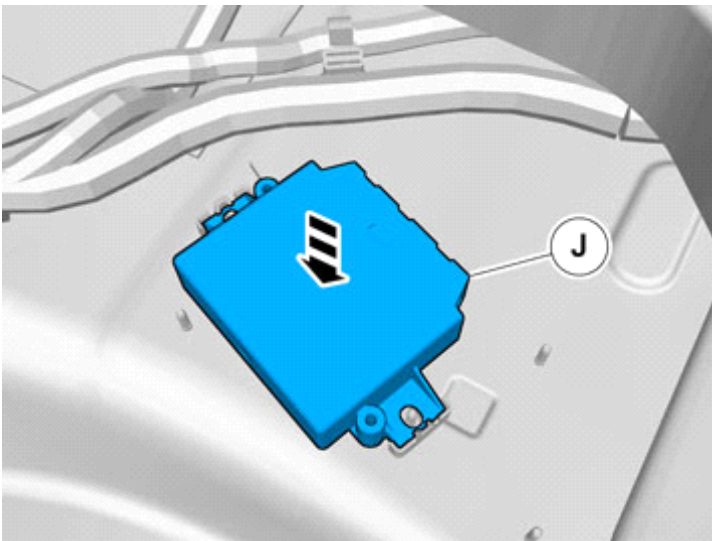
165



IMG-378062

The part is not to be reused.

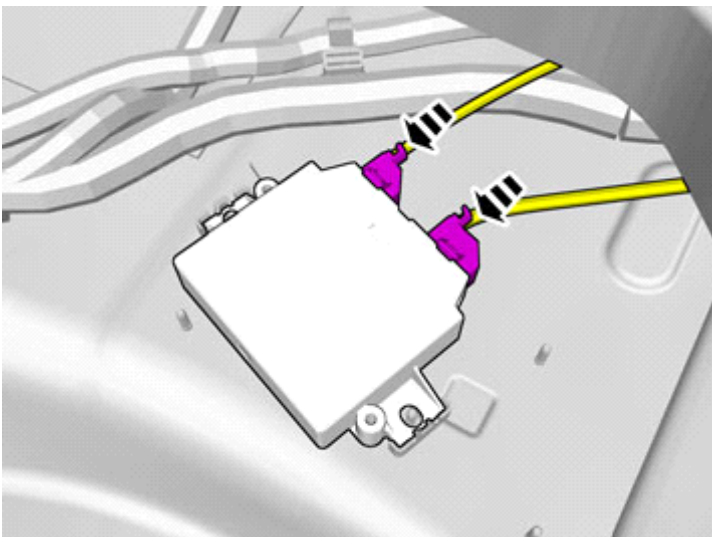
166



IMG-378063

Install component that comes with the accessory kit.

167



IMG-378065

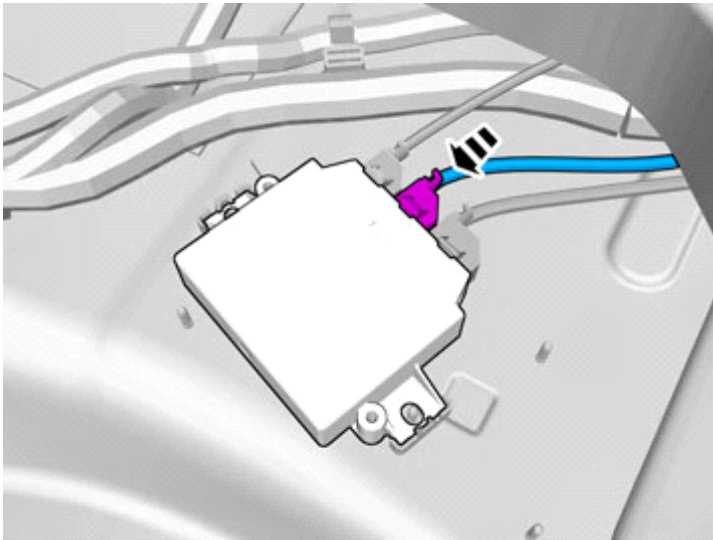
Connect the connectors.



Installation instructions, accessories

Volvo Car Corporation Gothenburg, Sweden

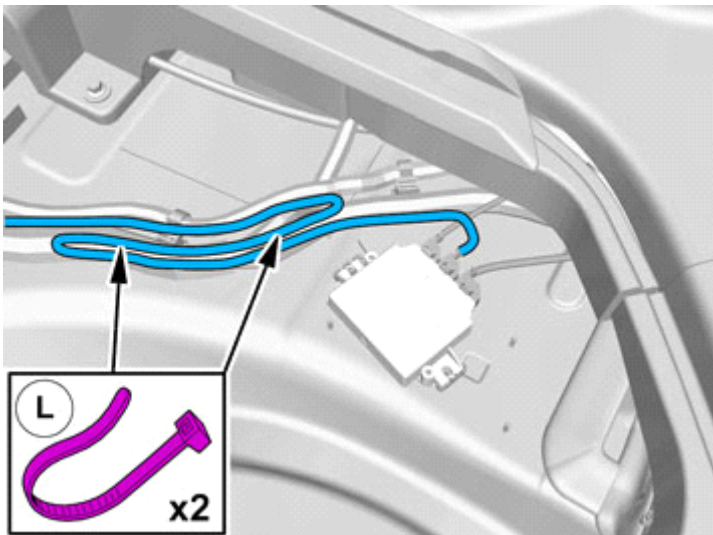
168



IMG-378066

Connect the prerouted cable.

169



IMG-378070

Note!
Extra cable length must be secured using cable ties.

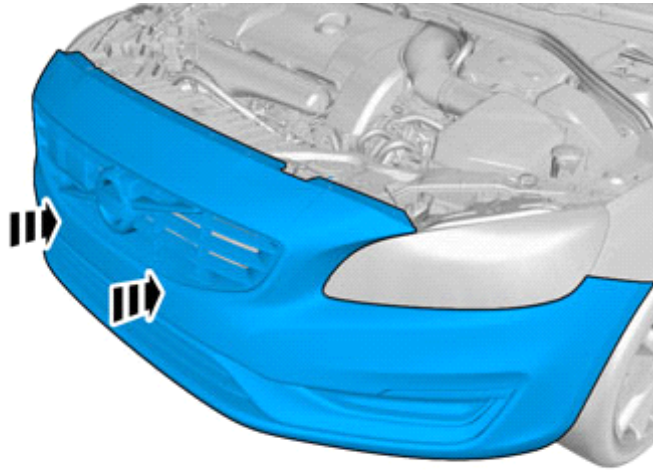
All vehicles



Installation instructions, accessories

Volvo Car Corporation Gothenburg, Sweden

170

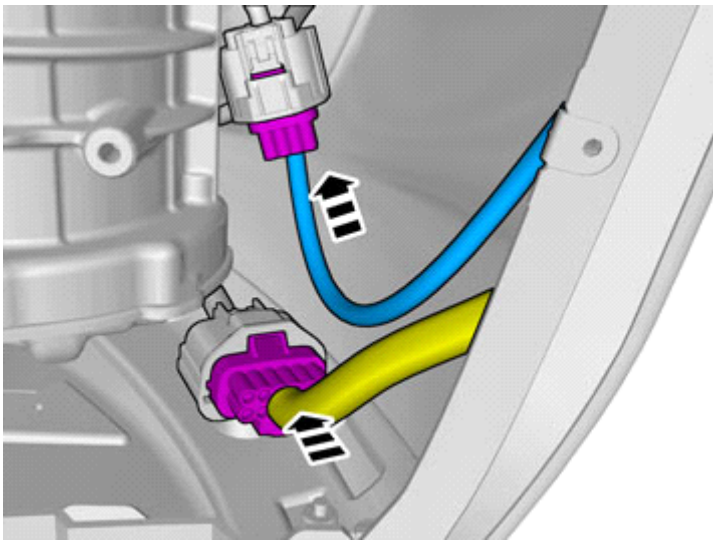


Place the Bumper Cover in position for installation.

IMG-378609

Left hand drive vehicles

171



Connect the connectors.

IMG-378276

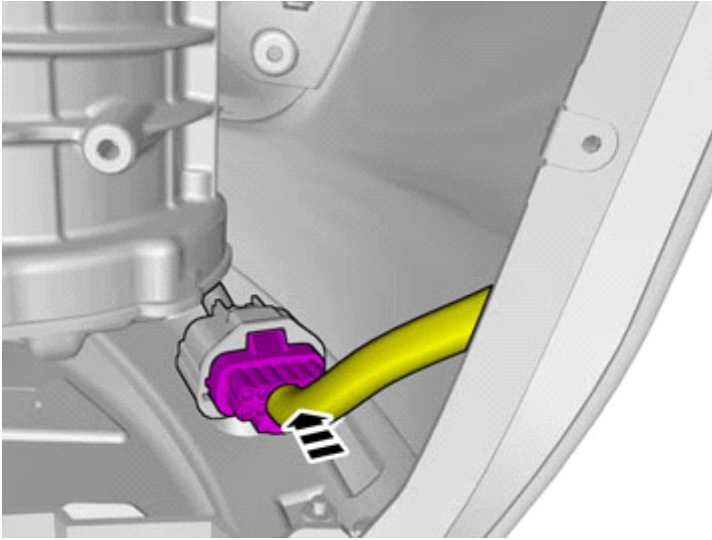
Right-hand drive vehicles



Installation instructions, accessories

Volvo Car Corporation Gothenburg, Sweden

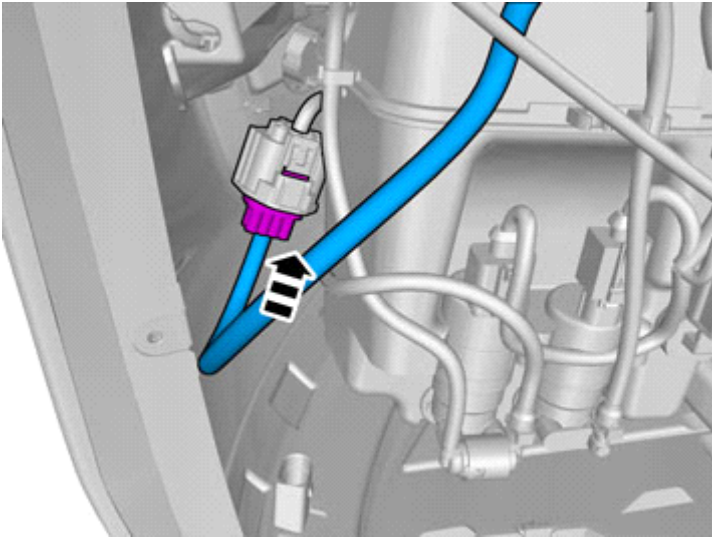
172



IMG-378280

Connect the connector.

173



IMG-378611

Connect the connector.

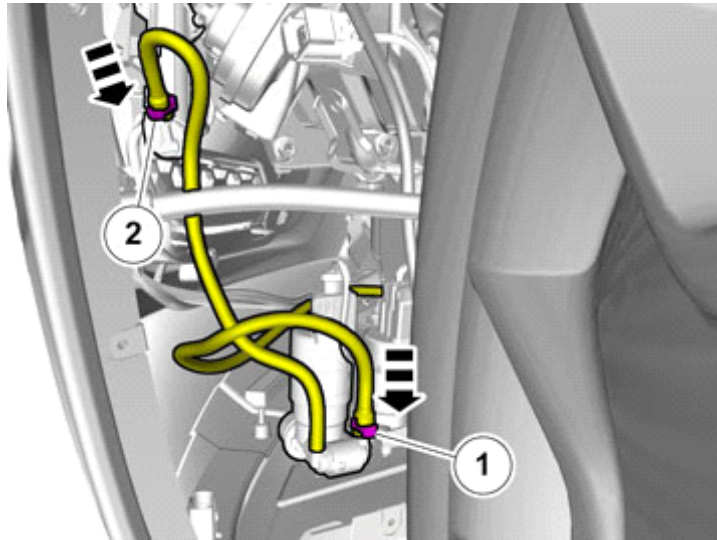
Vehicles with headlamp washers



Installation instructions, accessories

Volvo Car Corporation Gothenburg, Sweden

174

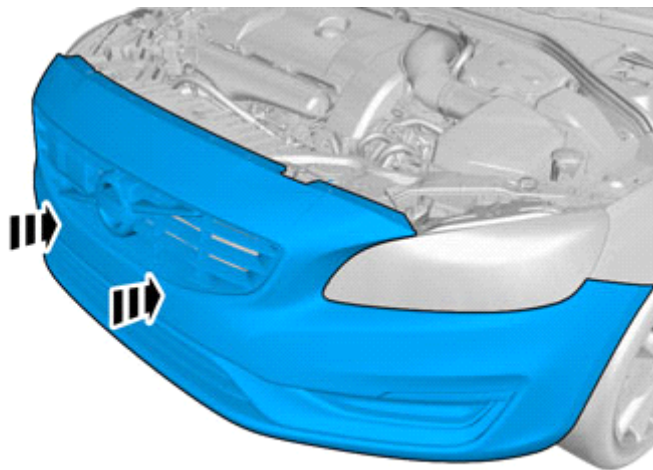


IMG-350323

Reinstall the removed parts in reverse order.

All vehicles

175



IMG-378609

Reinstall the bumper.



Installation instructions, accessories

Volvo Car Corporation Gothenburg, Sweden

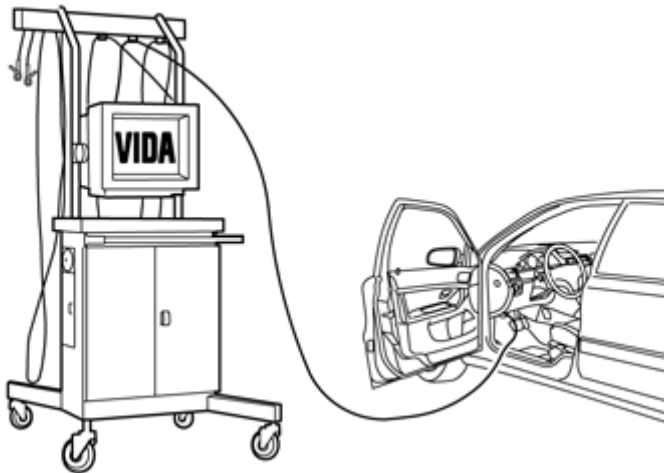
176

Reinstall the removed parts in reverse order.

IMG-377070

177

Download software (application) for the accessory's function according to the service information in VIDA.



IMG-242268